



The new degree of comfort.™

Rheem Classic® Series Heat Pump



RP15 Series

Efficiencies: 14-15 SEER/11.5-12.5 EER
Nominal Sizes 1½ to 5 Ton [5.28 to 17.6 kW]
Cooling Capacities 17.3 to 60.5 kBTU
[5.7 to 17.7 kW]



"Proper sizing and installation of equipment is critical to achieve optimal performance. Ask your Dealer for details or visit www.energystar.gov."

- New composite base pan – dampens sound, captures louver panels, eliminates corrosion and reduces number of fasteners needed
- Improved tubing design – reduces vibration and stress, making unit quieter and reducing opportunity for leaks
- Optimized defrost characteristics - decrease defrosting and provide better home comfort
- Powder coat paint system – for a long lasting professional finish
- Optimized reversing valve sizing – improves shifting performance for quieter unit operation and increased life of the system
- Enhanced mufflers – help to dissipate vibration energy for quieter unit operation
- Scroll compressor – a sound abating feature added to the compressor significantly reduces noise when system transitions in and out of defrost mode
- Modern cabinet aesthetics – increased curb appeal with visually appealing design
- Curved louver panels – provide ultimate coil protection, enhance cabinet strength, and increased cabinet rigidity
- Optimized fan orifice – optimizes airflow and reduces unit sound
- Rust resistant screws – confirmed through 1500-hour salt spray testing
- PlusOne™ **Expanded Valve Space** – 3"-4"-5" service valve space – provides a minimum working area of 27-square inches for easier access
- Integrated heat pump lift receptacle – allows standard CPVC stands to be inserted into the base
- PlusOne™ **Triple Service Access** – 15" wide, industry leading corner service access – makes repairs easier and faster. The two fastener removable corner allows optimal access to internal unit components. Individual louver panels come out once fastener is removed, for faster coil cleaning and easier cabinet reassembly
- Diagnostic service window with two-fastener opening – provides access to the TXV valves and the heat pump reversing valve before opening the unit.
- External gauge port access – allows easy connection of "low-loss" gauge ports
- Single-row condenser coil – makes unit lighter and allows thorough coil cleaning to maintain "out of the box" performance
- 35% fewer cabinet fasteners and fastener-free base – allow for faster access to internal components and hassle-free panel removal
- Service trays – hold fasteners or caps during service calls
- QR code – provides technical information on demand for faster service calls
- Fan motor harness with extra-long wires – allows unit top to be removed without disconnecting fan wire

TABLE OF CONTENTS

Standard Feature Table	3
Available SKUs	3
Features & Benefits	4-5
Model Number Identification	6-7
Physical Data	8
Electrical Data	8
Accessories	9
Weighted Sound Power	9
Thermostats	9
Unit Dimensions	10
Clearances	11
Wiring Diagrams	12
Application Guidelines	12
Refrigerant Line Size Information	13-14
Performance Data	15-30
Guide Specifications	31
Limited Warranty	32



Standard Feature Table

Feature	18	24	30	36	42	48	60
R-410a Refrigerant	√	√	√	√	√	√	√
Maximum SEER	15.0	15.0	15.0	15.0	15.0	15.0	15.0
Maximum EER	12.5	12.5	12.5	12.5	12.5	12.5	12.5
Scroll Compressor	√	√	√	√	√	√	√
Field Installed Filter Drier	√	√	√	√	√	√	√
Front Seating Service Valves	√	√	√	√	√	√	√
High Pressure Switch	√	√	√	√	√	√	√
Low Pressure Switch	√	√	√	√	√	√	√
Internal Pressure Relief Valve	√	√	√	√	√	√	√
Internal Thermal Overload	√	√	√	√	√	√	√
Long Line capability	√	√	√	√	√	√	√
Low Ambient capability with Kit	√	√	√	√	√	√	√
3-4-5 Service Valve Access	√	√	√	√	√	√	√
Composite Basepan	√	√	√	√	√	√	√
2 Screw Control Box Access	√	√	√	√	√	√	√
15" Access to Internal Components	√	√	√	√	√	√	√
Quick release louver panel design	√	√	√	√	√	√	√
No fasteners to remove along bottom	√	√	√	√	√	√	√
Optimized Venturi Airflow	√	√	√	√	√	√	√
Single row condenser coil	√	√	√	√	√	√	√
Powder coated paint	√	√	√	√	√	√	√
Rust resistant screws	√	√	√	√	√	√	√
QR code	√	√	√	√	√	√	√
External gauge ports	√	√	√	√	√	√	√
Service trays	√	√	√	√	√	√	√

√ = Standard

Available SKU

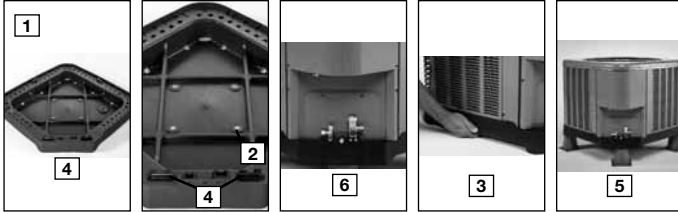
Available Models	Description
RP1518AJ1NA	Classic® 1 1/2 ton 15 SEER Single-Stage Heat Pump-208/230/1/60
RP1524AJ1NA	Classic® 2 ton 15 SEER Single-Stage Heat Pump-208/230/1/60
RP1530AJ1NA	Classic® 2 1/2 ton 15 SEER Single-Stage Heat Pump-208/230/1/60
RP1536AJ1NA	Classic® 3 ton 15 SEER Single-Stage Heat Pump-208/230/1/60
RP1542AJ1NA	Classic® 3 1/2 ton 15 SEER Single-Stage Heat Pump-208/230/1/60
RP1548AJ1NA	Classic® 4 ton 15 SEER Single-Stage Heat Pump-208/230/1/60
RP1560AJ1NA	Classic® 5 ton 15 SEER Single-Stage Heat Pump-208/230/1/60
RP1536AC1NA	Classic® 3 ton 15 SEER Single-Stage Heat Pump-208/230/3/60
RP1542AC1NA	Classic® 3 1/2 ton 15 SEER Single-Stage Heat Pump-208/230/3/60
RP1548AC1NA	Classic® 4 ton 15 SEER Single-Stage Heat Pump-208/230/3/60
RP1560AC1NA	Classic® 5 ton 15 SEER Single-Stage Heat Pump-208/230/3/60
RP1536AD1NA	Classic® 3 ton 15 SEER Single-Stage Heat Pump-460/3/60
RP1542AD1NA	Classic® 3 1/2 ton 15 SEER Single-Stage Heat Pump-460/3/60
RP1548AD1NA	Classic® 4 ton 15 SEER Single-Stage Heat Pump-460/3/60
RP1560AD1NA	Classic® 5 ton 15 SEER Single-Stage Heat Pump-460/3/60



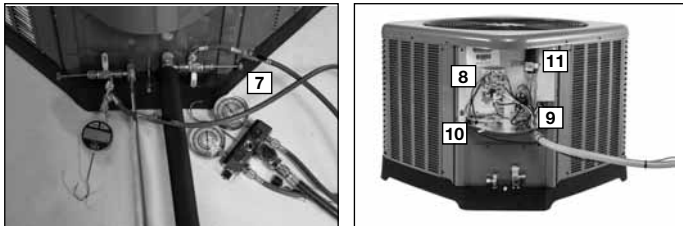
Introduction to RP15 Heat Pump

The RP15 is our 15 SEER heat pump and is part of the Rheem heat pump product line that extends from 14 to 20 SEER. This highly featured and reliable heat pump is designed for years of reliable, efficient operation when matched with Rheem indoor aluminum evaporator coils and furnaces or air handler units with aluminum evaporators.

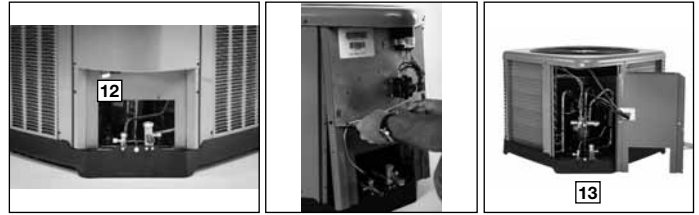
Our unique composite base (1) reduces sound emission, eliminates rattles, significantly reduces fasteners, eliminates corrosion and has integrated brass compressor attachment inserts (2). Furthermore it has incorporated into the design, water management features, means for hand placement (3) for unit maneuvering, screw trays (4) and inserts for lifting unit off pad. (5)



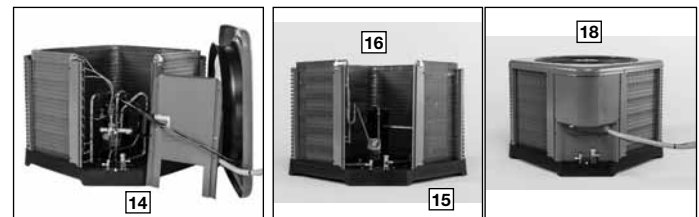
Service Valves (6) are rigidly mounted in the composite base with 3" between suction and discharge valves, 4" clearance below service valves and a minimum of 5" above the service valves, creating industry leading installation ease. The minimum 27-square inches around the service valves allows ample room to remove service valve schrader prior to brazing, plenty of clearance for easy brazing of the suction and discharge lines to service valve outlets, easy access and hookup of low loss refrigerant gauges (7), and access to the service valve caps for opening. For applications with long-line lengths up to 250 feet total equivalent length, up to 200 feet heat pump above evaporator, or up to 80 feet evaporator above heat pump, the long-line instructions in the installation manual should be followed.



Controls are accessed from the corner of the unit by removing only two fasteners from the control access cover, revealing the industry's largest 15" wide and 14" tall control area (8). With all this room in the control area the high voltage electrical whip (9) can easily be inserted through the right size opening in the bottom of the control area. Routing it leads directly to contractor lugs for connection. The low voltage control wires (10) are easily connected to units low voltage wiring. If contactor, defrost control or capacitor (11) needs to be replaced there is more than adequate space to make the repair. Furthermore, the service window (12) can be removed to access the TXV and reversing valve by removing two screws or the entire corner can be removed providing ultimate access to the TXV or reversing valve. (13)



If in the rare event, greater access is needed to internal components, such as the compressor, the entire corner of the unit can be removed along with the top cover assembly to have unprecedented access to interior of the unit (14). Extra wire length is incorporated into each outdoor fan and compressor so top cover and control panel can be positioned next to unit. With minimal effort the plug panel can be removed from the compressor and the outdoor fan wires can be removed from the capacitor to allow even more uncluttered access to the interior of the unit (15). Outdoor coils heights range from as short as 25" to 45", aiding access to the compressor. Disassembly to this degree and complete reassembly only takes a first time service technician less than 10 minutes. (18)



All units utilize strong formed louver panels which provide industry leading coil protection. Louver removal for coil cleaning is accomplished by removing one screw and lifting the panel out of the composite base pan (17). All RP15 units utilize single row coils (16) making cleaning easy and complete, restoring the performance of the heat pump back to out of the box performance levels year after year.

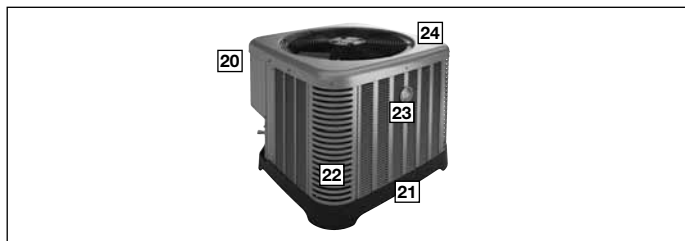


The outdoor fan motor has sleeve bearings and is inherently protected. The motor is totally enclosed for maximum protection from weather, dust and corrosion. Access to the outdoor fan is made by removing four fasteners from the fan grille. The outdoor fan can be removed from the fan grille by removing 4 fasteners in the rare case outdoor fan motor fails.

Each cabinet has optimized composite (19) fan orifice assuring efficient and quiet airflow.

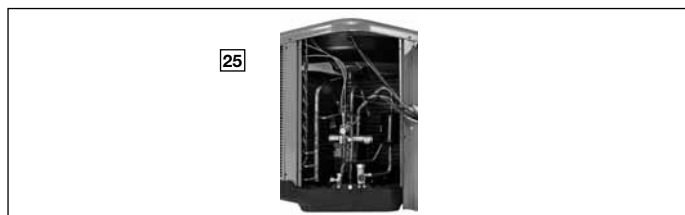


The entire cabinet has powder post paint (20) achieving 1000 hour salt spray rating, allowing the cabinet to retain its aesthetics throughout its life.



Scroll compressors with standard internal pressure relief and internal thermal overload are used on all capacities assuring longevity of high efficient and quiet operation for the life of the product. All RP15 Heat Pumps come standard with high and low pressure switches.

Each unit is shipped with filter drier for field installation and will trap any moisture or dirt that could contaminate the refrigerant system.



All cabinets have industry leading structural strength due to the composite base pan (21), interlocking corner post (22), formed curved louver panels (23) and drawn top cover (24) making it the most durable cabinet on the market today.

Each RP15 capacity has undergone rigorous psychrometric testing to assure performance ratings of capacity, SEER, EER and HSPF per AHRI Standard 210/240 rating conditions. Also each unit bears the UL mark and each unit is certified to UL 1995 safety standards.



Each unit has undergone specific strain and modal testing to assure tubing (25) is outside the units natural frequency and that the suction and discharge lines connected to the compressor withstand any starting, steady state operation or shut down forces imposed by the compressor.

All units have been sound tested in sound chamber to AHRI 270 rating conditions, and A-weighted Sound Power Level tables produced, assuring units have acceptable noise qualities (see page 9). Each unit has been ran in cooling operation at 95°F and 47°F and sound ratings for the RP15 range from as low as 73 dBA to 79 dBA.

All units have been ship tested to assure units meet stringent “over the road” shipping conditions.

As manufactured all units in the RP15 family have cooling capability to 55 °F. Addition of low ambient control will allow the unit to operate down to 0°F.

Factory testing is performed on each unit. All component parts meet well defined specification and continually go through receiving inspections. Each component installed on a unit is scanned, assuring correct component utilization for a given unit capacity and voltage. All condenser coils are leak tested with pressurization test to 550#’s and once installed and assembled, each units’ complete refrigerant system is helium leak tested. All units are fully charged from the factory for up to 15 feet of piping. All units are factory run tested. The RP15 has a 10-year conditional compressor and parts warranty (registration required).

Optional Accessories (Refer to accessory chart for model #)

Compressor Crankcase Heater

- Protects against refrigerant migration that can occur during low ambient operation

Compressor Sound Cover

- Reinforced vinyl compressor cover containing a 1½ inch thick batt of fiberglass insulation
- Open edges are sealed with a one-inch wide hook and loop fastening tape

Compressor hard Start Kit

- Single-phase units are equipped with a PSC compressor motor. This type of motor normally does not need a potential relay and start capacitor
- In conditions such as low voltage, this kit may be required to increase the compressor starting torque

Low Ambient Kit

- Heat Pump operate satisfactorily in the cooling mode down to 55°F outdoor air temperature without any additional controls
- Kit can be added in the field enabling unit to operate properly down to 0° in the cooling mode
- Crankcase heater and freezestat should be installed on compressors equipped with a low ambient kit

3"/6"/12"

- Gray high density polyethylene feet are available to raise unit off of mounting surface away from moisture



Heat Pumps

R	P	15	24	A	J	1	N	A	*
Brand	Product Category	SEER	Capacity BTU/HR	Major Series*	Voltage	Type	Controls	Minor Series**	Option Code
Rheem	P - Heat Pump	13 - 13 SEER 14 - 14 SEER 15 - 15 SEER 17 - 17 SEER 20 - 20 SEER	18 - 18,000 [5.28 kW] 24 - 24,000 [7.03 kW] 30 - 30,000 [8.79 kW] 36 - 36,000 [10.55 kW] 42 - 42,000 [12.31 kW] 48 - 48,000 [14.07 kW] 60 - 60,000 [17.58 kW]	A - 1st Design	J - 1ph, 208-230/60 C - 3ph, 208-230/60 D - 3ph, 460/60	1 - Single-stage V - Inverter P - Piston	C - Communicating N - Non-communicating	A - 1st Design	N/A

Air Conditioners (For Reference)

R	A	14	24	A	J	1	N	A	*
Brand	Product Category	SEER	Capacity BTU/HR [kW]	Major Series*	Voltage	Type	Controls	Minor Series**	Option Code
Rheem	A - Air Conditioners	13 - 13 SEER 14 - 14 SEER 16 - 16 SEER 17 - 17 SEER 20 - 20 SEER	18 - 18,000 [5.28 kW] 24 - 24,000 [7.03 kW] 30 - 30,000 [8.79 kW] 36 - 36,000 [10.55 kW] 42 - 42,000 [12.31 kW] 48 - 48,000 [14.07 kW] 60 - 60,000 [17.58 kW]	A - 1st Design	J - 1ph, 208-230/60 C - 3ph, 208-230/60 D - 3ph, 460/60	1 - Single-stage 2 - Two-stage V - Inverter	C - Communicating N - Non-communicating	A - 1st Design	N/A

Furnace Coils (For Reference)

R	C	E	24	17	S	I	A	M	C	A	*
Brand	Product Category	Type	Capacity BTU/HR	Width	Efficiency	Metering Device	Major Series*	Orientation	Casing	Minor Series**	Option Code
Rheem	C - Evap Coil	F - Furn Coil H - Air-Handler Coil	24 - 24,000 [7.03 kW] 36 - 36,000 [10.55 kW] 48 - 48,000 [14.07 kW] 60 - 60,000 [17.58 kW]	14 - 14" 17 - 17.5" 21 - 21" 24 - 24.5"	S - Standard Eff. M - Mid Eff. H - High Eff.	T-TXV E-EEV P-Piston	A - 1st Design	M - Multi-poise	C - Cased U - Uncased	A - 1st Design	N/A

[] Designates Metric Conversions



90%+ AFUE Gas Furnaces (For Reference)

<u>R</u>	<u>96</u>	<u>V</u>	<u>A</u>	<u>70</u>	<u>2</u>	<u>3</u>	<u>17</u>	<u>M</u>	<u>S</u>	<u>A</u>
Brand	Series	Motor	Major Rev	Input BTU/HR [kW]	Stages	Air Flow	Cabinet Width	Configuration	Nox	Minor Rev
Rheem	90 - 90 AFUE	V - Variable speed	A - 1st Design	040 - 42,000 [12.31 kW]	1 - Single-stage	3 - up to 3 ton	14 - 14"	M - Multi-poise	X - Low Nox	A - 1st Design
	92 - 92 AFUE	T - Constant Torque (X-13)		060 - 56,000 [16.41 kW]	2 - Two-stage	5 - 3 1/2 up to 5 ton	17 - 17.5"		S - Standard	
	95 - 95 AFUE			070 - 70,000 [20.51 kW]	M - Modulating		21 - 21"			
	96 - 96 AFUE			085 - 84,000 [24.62 kW]			24 - 24.5"			
	97 - 97 AFUE	P - PSC		100 - 98,000 [28.72 kW]						
				115 - 112,000 [32.82 kW]						

80% AFUE Gas Furnaces (For Reference)

<u>R</u>	<u>80</u>	<u>2</u>	<u>V</u>	<u>A</u>	<u>075</u>	<u>3</u>	<u>17</u>	<u>M</u>	<u>S</u>	<u>A</u>
Brand	Series	Stages	Motor	Major Rev	Input BTU/HR [kW]	Air Flow	Cabinet Width	Configuration	Nox	Minor Rev
Rheem	80 - 80+ AFUE	1 - Single-stage 2 - Two-stage	V - Variable speed T - Constant Torque (X-13) P - PSC premium S - PSC standard	A - 1st Design	050 - 50,000 [15 kW] 075 - 75,000 [22 kW] 100 - 100,000 [29 kW] 125 - 125,000 [37 kW] 150 - 150,000 [44 kW]	3 - up to 3 ton 4 - 2 1/2 to 4 ton 5 - 3 1/2 up to 5 ton	14 - 14" 17 - 17.5" 21 - 21" 24 - 24.5"	M - Multi D - Down Z - Down & zero clearance down flow	X - Low Nox S - Standard	A - 1st Design

Air Handlers (For Reference)

<u>R</u>	<u>H</u>	<u>1</u>	<u>I</u>	<u>36</u>	<u>17</u>	<u>S</u>	<u>I</u>	<u>A</u>	<u>N</u>	<u>A</u>	<u>000</u>	<u>*</u>
Brand	Product Category	Stages of Airflow	Motor Type	Capacity BTU/HR	Width	Coil Size	Metering Device	Major Series*	Controls	Voltage	Minor Series**	Factory Heat Cap Code
Rheem	H - Air Handler	1 - Single-stage 2 - Two-stage M - Modulating	V - Variable Speed T - Constant Torque P - PSC	24 - 24,000 [7.03 kW] 36 - 36,000 [10.55 kW] 48 - 48,000 [14.07 kW] 60 - 60,000 [17.58 kW]	14 - 14" 17 - 17.5" 21 - 21" 24 - 24.5"	S - Standard Efficiency M - Mid Efficiency H - High Efficiency	T - TEV E - EEV P - Piston	A - 1st Design	C - Communicating N - Non-communicating	A - 1ph, 115/60 J - 1ph, 208-240/60 D - 3ph, 480/60	A - 1st Design factory heat with option code	N/A

[] Designates Metric Conversions



Air

Model Number Identification
RP15 Series



Air

Physical Data/Electrical Data
RP15 Series

Physical Data							
Model No. #	RP1518A	RP1524A	RP1530A	RP1536A	RP1542A	RP1548A	RP1560A
Nominal Tonnage	1.5	2.0	2.5	3.0	3.5	4.0	5.0
Valve Connections							
Liquid Line O.D. – in.	3/8	3/8	3/8	3/8	3/8	3/8	3/8
Suction Line O.D. – in.	3/4	3/4	3/4	3/4	7/8	7/8	7/8
Refrigerant (R410A) furnished oz.¹	106	94	128	124	145	194	223
Compressor Type	Scroll						
Outdoor Coil							
Net face area – Outer Coil	9.1	11.1	17.3	19.8	19.8	24.2	28.3
Net face area – Inner Coil	—	—	—	—	—	—	—
Tube diameter – in.	3/8	3/8	3/8	3/8	3/8	3/8	3/8
Number of rows	1	1	1	1	1	1	1
Fins per inch	20	20	20	20	20	20	20
Outdoor Fan							
Diameter – in.	20	20	24	24	24	26	26
Number of blades	2	3	3	3	3	3	3
Motor hp	1/8	1/8	1/5	1/3	1/5	1/3	1/5
CFM	2200	2480	3850	3120	3815	4380	3655
RPM	1075	1075	825	910	825	870	850
watts	156	132	196	135	202	266	274
Shipping weight – lbs.	130	138	167	179	187	215	243
Operating weight – lbs.	123	131	160	172	180	208	236

Electrical Data							
Line Voltage Data (Volts-Phase-Hz)	208/230-1-60	208/230-1-60	208/230-1-60	208/230-1-60	208/230-1-60	208/230-1-60	208/230-1-60
Maximum overcurrent protection (amps)²	20	25	30	35	40	40	50
Minimum circuit ampacity³	12	17	19	23	24	26	31
Compressor							
Rated load amps	9	12.8	14.1	15.4	17.9	18.5	23.7
Locked rotor amps	48	58.3	73	83.9	112	124	152.5
Condenser Fan Motor							
Full load amps	0.7	0.7	1	2.8	1	2.8	1
Locked rotor amps	1.2	1.3	1.5	0	1.5	0	2.3
Line Voltage Data (Volts-Phase-Hz)	—	—	—	208/230-3-60	208/230-3-60	208/230-3-60	208/230-3-60
Maximum overcurrent protection (amps) ²	—	—	—	25	30	30	35
Minimum circuit ampacity ³	—	—	—	16	18	21	21
Compressor							
Rated load amps	—	—	—	10.4	13.5	13.8	15.9
Locked rotor amps	—	—	—	73	88	83.1	110
Condenser Fan Motor							
Full load amps	—	—	—	2.8	1	2.8	1
Locked rotor amps	—	—	—	0	1.5	0	2.3
Line Voltage Data (Volts-Phase-Hz)	—	—	—	480-3-60	480-3-60	480-3-60	480-3-60
Maximum overcurrent protection (amps) ²	—	—	—	TBD	TBD	TBD	TBD
Minimum circuit ampacity ³	—	—	—	TBD	TBD	TBD	TBD
Compressor							
Rated load amps	—	—	—	TBD	TBD	TBD	TBD
Locked rotor amps	—	—	—	TBD	TBD	TBD	TBD
Condenser Fan Motor							
Full load amps	—	—	—	TBD	TBD	TBD	TBD
Locked rotor amps	—	—	—	TBD	TBD	TBD	TBD

¹Refrigerant charge sufficient for 15 ft. length of refrigerant lines. For longer line set requirements see the installation instructions for information about set length and additional refrigerant charge required.

²HACR type circuit breaker or fuse.

³Refer to National Electrical Code manual to determine wire, fuse and disconnect size requirements.



Accessories

Model No.	RP1518	RP1524	RP1530	RP1536	RP1542	RP1548	RP1560
Compressor crankcase heater	44-17402-44	44-17402-44	44-17402-44	44-17402-44	44-17402-45	Factory Standard	Factory Standard
Low ambient control	RXAD-A08	RXAD-A08	RXAD-A08	RXAD-A08	RXAD-A08	RXAD-A08	RXAD-A08
Compressor sound cover	68-23427-26	68-23427-26	68-23427-26	68-23427-26	68-23427-25	68-23427-25	68-23427-25
Compressor hard start kit	SK-A1	SK-A1	SK-A1	SK-A1	SK-A1	SK-A1	SK-A1
Low pressure control*	Factory Standard	Factory Standard	Factory Standard	Factory Standard	Factory Standard	Factory Standard	Factory Standard
High pressure control*	Factory Standard	Factory Standard	Factory Standard	Factory Standard	Factory Standard	Factory Standard	Factory Standard
Liquid Line Solenoid (24 VAC, 50/60 Hz)	Solenoid Valve	61-200RD2T3TVLC	61-200RD2T3TVLC	61-200RD2T3TVLC	61-200RD2T3TVLC	61-200RD2T3TVLC	61-200RD3T3TVLC
	Solenoid Coil	61-AMG24V	61-AMG24V	61-AMG24V	61-AMG24V	61-AMG24V	61-AMG24V
	Bi-flow kit*	61-KS30387	61-KS30387	61-KS30387	61-KS30387	61-KS30387	61-KS30387
Liquid Line Solenoid (120/240 VAC, 50/60 Hz)	Solenoid Valve	61-200RD2T3TVLC	61-200RD2T3TVLC	61-200RD2T3TVLC	61-200RD2T3TVLC	61-200RD2T3TVLC	61-200RD3T3TVLC
	Solenoid Coil	61-AMG120/240V	61-AMG120/240V	61-AMG120/240V	61-AMG120/240V	61-AMG120/240V	61-AMG120/240V
	Bi-flow kit*	61-KS30387	61-KS30387	61-KS30387	61-KS30387	61-KS30387	61-KS30387
Classic Top Cap w/Label	91-101123-21	91-101123-21	91-101123-21	91-101123-21	91-101123-21	91-101123-21	91-101123-21

*Bi-flow kits are required when installing a liquid line solenoid on a heat pump.

Weighted Sound Power Level (dBA)

Unit Size – Voltage, Series	Standard Rating (dBA)	TYPICAL OCTAVE BAND SPECTRUM (dBA without tone adjustment)						
		125	250	500	1000	2000	4000	8000
RP1518A	75.2	53.8	60.2	64.3	66	62.5	57.6	53.5
RP1524A	76.1	51	60.4	65.8	66.6	63.6	59	53.7
RP1530A	73.3	51.8	56.6	63.4	62.9	60.8	55.9	51.5
RP1536A	79	53.5	60.7	68.4	69.4	66.3	61.3	56.1
RP1542A	74.1	52.9	55.9	64	63.5	61.4	58	52.1
RP1548A	76.5	55.8	59	68.2	66.3	64.3	60.5	55.4
RP1560A	73.9	58.9	55.7	63.4	63.3	61.5	58.6	56.4

NOTE: Tested in accordance with AHRI Standard 270-08 (not listed in AHRI)

Thermostats



200-Series *
Programmable



300-Series *
Deluxe
Programmable

400-Series *
Special Applications/
Programmable



500-Series *
Communicating/
Programmable

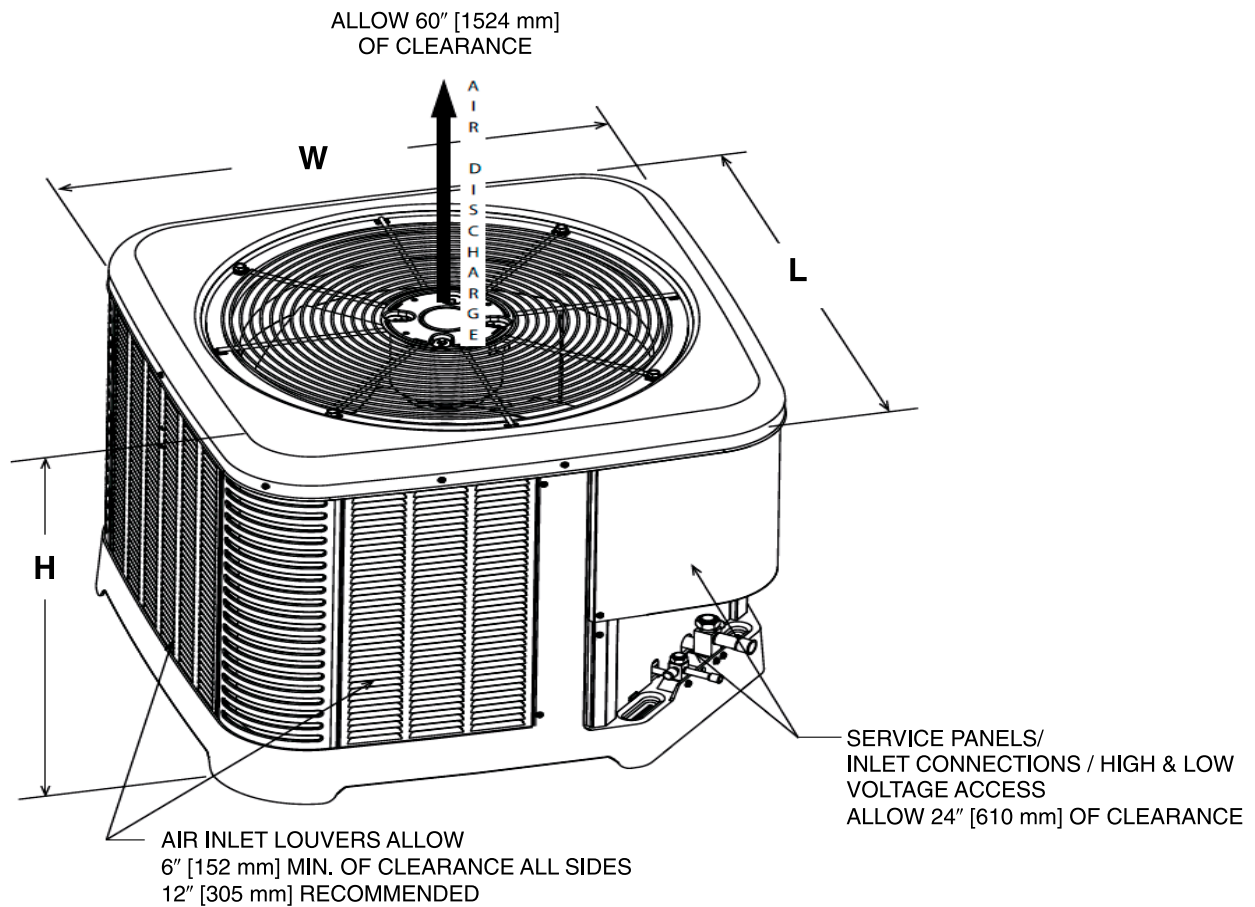
Brand	Descriptor (3 Characters)	Series (3 Characters)	System (2 Characters)	Type (2 Characters)
RHC	-	TST	213	UN
RHC=Rheem	TST=Thermostat	200=Programmable 300=Deluxe Programmable 400=Special Applications/ Programmable 500=Communicating/ Programmable	GE=Gas/Electric UN=Universal (AC/HP/GE) MD=Modulating Furnace DF=Dual Fuel CM=Communicating	SS=Single-Stage MS=Multi-Stage

* Photos are representative. Actual models may vary.

For detailed thermostat match-up information,
see specification sheet form number T11-001.

Unit Dimensions

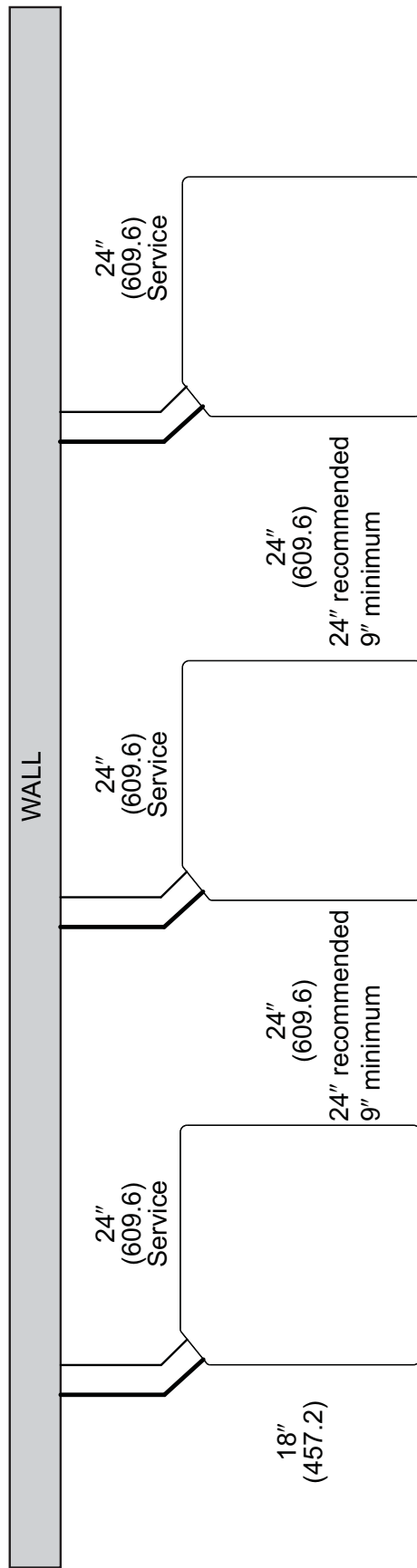
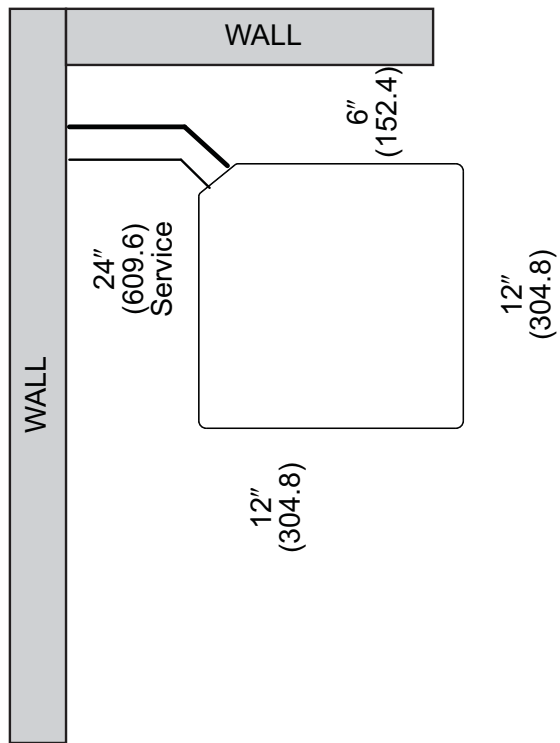
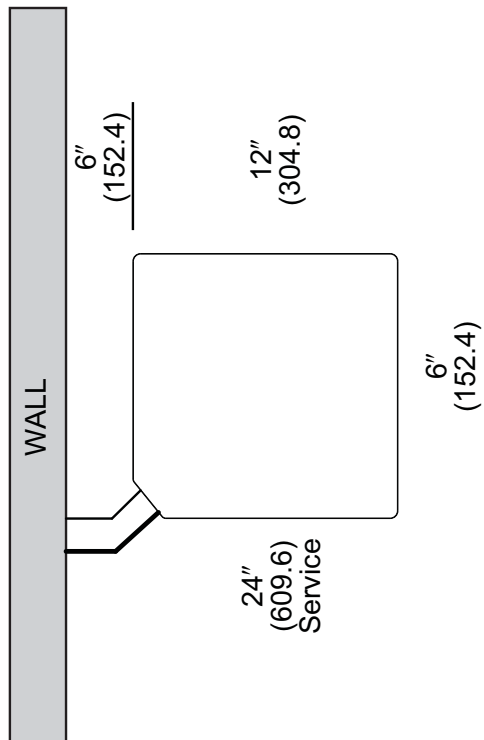
MODEL NUMBER	OPERATING						SHIPPING					
	H (Height)		L (Length)		W (Width)		H (Height)		L (Length)		W (Width)	
	INCHES	mm	INCHES	mm	INCHES	mm	INCHES	mm	INCHES	mm	INCHES	mm
RP1518	25	635	29.75	755	29.75	755	26.75	679	32.38	822	32.38	822
RP1524	25	635	29.75	755	29.75	755	26.75	679	32.38	822	32.38	822
RP1530	31	787	33.75	857	33.75	857	32.75	831	32.38	822	32.38	822
RP1536	35	889	33.75	857	33.75	857	36.75	933	36.38	924	36.38	924
RP1542	35	889	33.75	857	33.75	857	36.75	933	36.38	924	36.38	924
RP1548	39	990	35.75	908	35.75	908	40.75	1035	38.38	974	38.38	974
RP1560	45	1143	35.75	908	35.75	908	46.75	1187	38.38	974	38.38	974



[] Designates Metric Conversions

ST-A1226-02-00

CLEARANCES

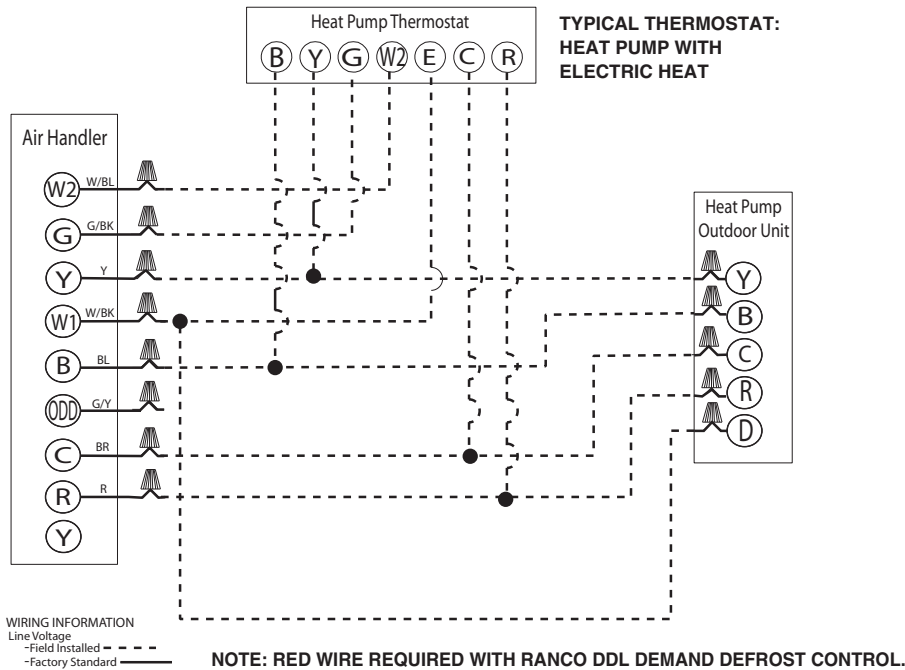


NOTE: NUMBERS IN () = mm

IMPORTANT: When installing multiple units in an alcove, roof well or partially enclosed area, ensure there is adequate ventilation to prevent re-circulation of discharge air.

Control Wiring

FIGURE 4
CONTROL WIRING FOR AIR HANDLER



Application Guidelines

1. Intended for outdoor installation with free air inlet and outlet. Outdoor fan external static pressure available is less than 0.01 -in. wc.
2. Minimum outdoor operation air temperature for cooling mode without low-ambient operation accessory is 55°F (12.8°C).
3. Maximum outdoor operating air temperature is 125°F (51.7°C).
4. For reliable operation, unit should be level in all horizontal planes.
5. Use only copper wire for electric connections at unit. Aluminum and clad aluminum are not acceptable for the type of connector provided.
6. Do not apply capillary tube indoor coils to these units.
7. Factory – supplied filter drier must be installed.

Heat Pump Refrigerant Line Size Information

R-410A System Capacity Model	Liquid Line Size Connection Size (Inch I.D.) (mm)	Liquid Line Size (Inch O.D.) (mm)	Liquid Line Size Elevation (Above or Below) Indoor Coil												
			Total Equivalent Length - Feet [m]												
			25 [7.62]	50 [15.24]	75 [22.86]	100 [30.48]	125 [45.72]	150 [45.72]	175 [53.34]	200 [60.96]	225 [68.58]	250 [76.20]	275 [83.82]	300 [91.44]	
Maximum Vertical Separation - Feet [m]															
18	3/8" [9.53]	1/4 [6.35]	25 [7.62]	50 [15.24]	60 [18.29]	50 [15.24]	35 [10.67]	20 [6.1]	N/R	N/R	N/R	N/R	N/R	N/R	N/R
		5/16 [7.94]	25 [7.62]	50 [15.24]	75 [22.86]	85 [25.91]	85 [25.91]	80 [24.38]	75 [22.86]	60 [18.29]	50 [15.24]	45 [13.72]	40 [12.19]	35 [10.67]	25 [7.62]
		3/8 [9.53]	25 [7.62]	50 [15.24]	75 [22.86]	100 [30.48]	100 [30.48]	95 [28.96]	95 [28.96]	90 [27.43]	85 [25.91]	80 [24.38]	80 [24.38]	80 [24.38]	75 [22.86]
		7/16 [11.12]	25 [7.62]	50 [15.24]	75 [22.86]	100 [30.48]	105 [32]	100 [30.48]	100 [30.48]	100 [30.48]	105 [32]	105 [32]	105 [32]	100 [30.48]	100 [30.48]
		1/2 [12.71]	25 [7.62]	50 [15.24]	75 [22.86]	100 [30.48]	105 [32]	105 [32]	100 [30.48]	100 [30.48]	105 [32]	105 [32]	105 [32]	100 [30.48]	100 [30.48]
		1/4 [6.35]	25 [7.62]	50 [15.24]	30 [9.14]	N/R	N/R	N/R	N/R	N/R	N/R	N/R	N/R	N/R	N/R
24	3/8" [9.53]	5/16 [7.94]	25 [7.62]	50 [15.24]	75 [22.86]	80 [24.38]	70 [21.34]	65 [19.81]	60 [18.29]	50 [15.24]	45 [13.72]	40 [12.19]	35 [10.67]	25 [7.62]	
		3/8 [9.53]	25 [7.62]	50 [15.24]	75 [22.86]	95 [28.96]	90 [27.43]	90 [27.43]	90 [27.43]	85 [25.91]	85 [25.91]	80 [24.38]	80 [24.38]	75 [22.86]	
		7/16 [11.12]	25 [7.62]	50 [15.24]	75 [22.86]	100 [30.48]	100 [30.48]	100 [30.48]	95 [28.96]	95 [28.96]	95 [28.96]	95 [28.96]	95 [28.96]	90 [27.43]	
		1/2 [12.71]	25 [7.62]	50 [15.24]	75 [22.86]	100 [30.48]	100 [30.48]	100 [30.48]	100 [30.48]	100 [30.48]	100 [30.48]	100 [30.48]	100 [30.48]	95 [28.96]	
		1/4 [6.35]	25 [7.62]	30 [9.14]	N/R	N/R	N/R	N/R	N/R	N/R	N/R	N/R	N/R	N/R	N/R
		5/16 [7.94]	25 [7.62]	50 [15.24]	70 [21.34]	60 [18.29]	55 [16.76]	45 [13.72]	35 [10.67]	30 [9.14]	20 [6.1]	10 [3.05]	N/R	N/R	N/R
30	3/8" [9.53]	3/8 [9.53]	25 [7.62]	50 [15.24]	75 [22.86]	85 [25.91]	80 [24.38]	80 [24.38]	75 [22.86]	70 [21.34]	65 [19.81]	60 [18.29]	60 [18.29]	50 [15.24]	
		7/16 [11.12]	25 [7.62]	50 [15.24]	75 [22.86]	90 [27.43]	90 [27.43]	90 [27.43]	85 [25.91]	85 [25.91]	80 [24.38]	80 [24.38]	80 [24.38]		
		1/2 [12.71]	25 [7.62]	50 [15.24]	75 [22.86]	95 [28.96]	95 [28.96]	90 [27.43]	90 [27.43]	90 [27.43]	90 [27.43]	90 [27.43]	90 [27.43]		
		1/4 [6.35]	25 [7.62]	N/R	N/R	N/R	N/R	N/R	N/R	N/R	N/R	N/R	N/R	N/R	
		5/16 [7.94]	25 [7.62]	50 [15.24]	65 [19.81]	50 [15.24]	40 [12.19]	25 [7.62]	15 [4.57]	N/R	N/R	N/R	N/R	N/R	N/R
		3/8 [9.53]	25 [7.62]	50 [15.24]	75 [22.86]	85 [25.91]	80 [24.38]	85 [25.91]	75 [22.86]	70 [21.34]	65 [19.81]	60 [18.29]	55 [16.76]	50 [15.24]	
36	3/8" [9.53]	7/16 [11.12]	25 [7.62]	50 [15.24]	75 [22.86]	95 [28.96]	95 [28.96]	90 [27.43]	90 [27.43]	85 [25.91]	85 [25.91]	80 [24.38]	80 [24.38]		
		1/2 [12.71]	25 [7.62]	50 [15.24]	75 [22.86]	100 [30.48]	95 [28.96]	95 [28.96]	90 [27.43]	90 [27.43]	90 [27.43]	90 [27.43]	90 [27.43]		
		1/4 [6.35]	25 [7.62]	N/R	N/R	N/R	N/R	N/R	N/R	N/R	N/R	N/R	N/R	N/R	
		5/16 [7.94]	25 [7.62]	50 [15.24]	65 [19.81]	50 [15.24]	40 [12.19]	25 [7.62]	15 [4.57]	N/R	N/R	N/R	N/R	N/R	
		3/8 [9.53]	25 [7.62]	50 [15.24]	75 [22.86]	85 [25.91]	80 [24.38]	85 [25.91]	75 [22.86]	70 [21.34]	65 [19.81]	60 [18.29]	55 [16.76]	50 [15.24]	
		7/16 [11.12]	25 [7.62]	50 [15.24]	75 [22.86]	95 [28.96]	95 [28.96]	90 [27.43]	90 [27.43]	85 [25.91]	85 [25.91]	80 [24.38]	80 [24.38]		
42	3/8" [9.53]	1/2 [12.71]	25 [7.62]	50 [15.24]	75 [22.86]	100 [30.48]	95 [28.96]	95 [28.96]	90 [27.43]	90 [27.43]	90 [27.43]	90 [27.43]	90 [27.43]		
		1/4 [6.35]	25 [7.62]	N/R	N/R	N/R	N/R	N/R	N/R	N/R	N/R	N/R	N/R		
		5/16 [7.94]	25 [7.62]	50 [15.24]	45 [13.72]	30 [9.14]	10 [3.05]	N/R	N/R	N/R	N/R	N/R	N/R		
		3/8 [9.53]	25 [7.62]	50 [15.24]	75 [22.86]	85 [25.91]	80 [24.38]	85 [25.91]	75 [22.86]	70 [21.34]	65 [19.81]	60 [18.29]	55 [16.76]	50 [15.24]	
		7/16 [11.12]	25 [7.62]	50 [15.24]	75 [22.86]	95 [28.96]	95 [28.96]	90 [27.43]	90 [27.43]	85 [25.91]	85 [25.91]	80 [24.38]	80 [24.38]		
		1/2 [12.71]	25 [7.62]	50 [15.24]	75 [22.86]	100 [30.48]	95 [28.96]	95 [28.96]	90 [27.43]	90 [27.43]	90 [27.43]	90 [27.43]	90 [27.43]		
48	3/8" [9.53]	1/4 [6.35]	10 [3.05]	N/R	N/R	N/R	N/R	N/R	N/R	N/R	N/R	N/R	N/R	N/R	
		5/16 [7.94]	25 [7.62]	50 [15.24]	30 [9.14]	10 [3.05]	N/R	N/R	N/R	N/R	N/R	N/R	N/R	N/R	
		3/8 [9.53]	25 [7.62]	50 [15.24]	70 [21.34]	65 [19.81]	55 [16.76]	40 [12.19]	35 [10.67]	30 [9.14]	20 [6.1]	15 [4.57]	10 [3.05]		
		7/16 [11.12]	25 [7.62]	50 [15.24]	75 [22.86]	80 [24.38]	75 [22.86]	70 [21.34]	70 [21.34]	65 [19.81]	60 [18.29]	60 [18.29]	55 [16.76]		
		1/2 [12.71]	25 [7.62]	50 [15.24]	75 [22.86]	85 [25.91]	85 [25.91]	80 [24.38]	80 [24.38]	80 [24.38]	80 [24.38]	75 [22.86]	75 [22.86]		
		1/4 [6.35]	N/R	N/R	N/R	N/R	N/R	N/R	N/R	N/R	N/R	N/R	N/R	N/R	
60	3/8" [9.53]	5/16 [7.94]	25 [7.62]	10 [3.05]	N/R	N/R	N/R	N/R	N/R	N/R	N/R	N/R	N/R	N/R	
		3/8 [9.53]	25 [7.62]	50 [15.24]	40 [12.19]	30 [9.14]	20 [6.1]	10 [3.05]	N/R	N/R	N/R	N/R	N/R	N/R	
		7/16 [11.12]	25 [7.62]	50 [15.24]	55 [16.76]	50 [15.24]	45 [13.72]	40 [12.19]	35 [10.67]	30 [9.14]	25 [7.62]	25 [7.62]	20 [6.1]		
		1/2 [12.71]	25 [7.62]	50 [15.24]	75 [22.86]	85 [25.91]	85 [25.91]	80 [24.38]	80 [24.38]	80 [24.38]	75 [22.86]	75 [22.86]	75 [22.86]		
		1/4 [6.35]	N/R	N/R	N/R	N/R	N/R	N/R	N/R	N/R	N/R	N/R	N/R	N/R	
		5/16 [7.94]	25 [7.62]	10 [3.05]	N/R	N/R	N/R	N/R	N/R	N/R	N/R	N/R	N/R	N/R	

NOTES:
N/R = Application not recommended.
Grey = This application is acceptable, but the long line guidelines must be followed. Reference Long Line Set section in the I&O

[] Designates Metric Conversions



Air

Heat Pump Refrigerant Line Size Information (con't.)

R-410A System Capacity Model	Vapor Line Connection Size (Inch I.D.) [mm]	Vapor Line Size (Inch O.D.) [mm]	Vapor Line Selection Chart Capacity Multiplier Table																				
			Total Equivalent Length - Feet [m]																				
			25 [7.62]	50 [15.24]	75 [22.86]	100 [30.48]	125 [45.72]	150 [45.72]	175 [53.34]	200 [60.96]	225 [68.58]	250 [76.20]	275 [83.82]	300 [91.44]									
18	3/4" [19.06]	5/8 [15.88]	1.00	1.00	1.00	0.99	0.99	0.98	0.97	0.97	0.98	0.98	0.98	0.97	0.97	0.97	0.97	0.97	0.97	0.97			
			3/4 [19.05]	1.00	1.00	1.00	1.00	1.00	1.00	1.00	1.00	1.00	1.00	1.00	1.00	1.00	1.00	1.00	1.00	1.00	1.00		
			7/8 [22.23]	N/R	N/R	N/R	N/R	N/R	N/R	N/R	N/R	N/R	N/R	N/R	N/R	N/R	N/R	N/R	N/R	N/R	N/R	N/R	
			1 [25.4]	N/R	N/R	N/R	N/R	N/R	N/R	N/R	N/R	N/R	N/R	N/R	N/R	N/R	N/R	N/R	N/R	N/R	N/R	N/R	
			1-1/8 [28.58]	N/R	N/R	N/R	N/R	N/R	N/R	N/R	N/R	N/R	N/R	N/R	N/R	N/R	N/R	N/R	N/R	N/R	N/R	N/R	
			5/8 [15.88]	1.00	0.99	0.98	0.98	0.97	0.97	0.96	0.96	0.96	0.96	0.96	0.96	0.95	0.95	0.95	0.94	0.94	0.93	0.93	
24	3/4" [19.06]	3/4 [19.05]	1.00	1.00	1.00	1.00	1.00	1.00	1.00	1.00	1.00	1.00	1.00	1.00	1.00	1.00	1.00	1.00	1.00	1.00			
			7/8 [22.23]	1.00	1.00	1.00	1.00	1.00	1.00	1.00	1.00	1.00	1.00	1.00	1.00	1.00	1.00	1.00	1.00	1.01	1.01		
			1 [25.4]	N/R	N/R	N/R	N/R	N/R	N/R	N/R	N/R	N/R	N/R	N/R	N/R	N/R	N/R	N/R	N/R	N/R	N/R	N/R	
			1-1/8 [28.58]	N/R	N/R	N/R	N/R	N/R	N/R	N/R	N/R	N/R	N/R	N/R	N/R	N/R	N/R	N/R	N/R	N/R	N/R	N/R	
			5/8 [15.88]	0.99	0.98	0.97	0.95	0.94	0.94	0.94	0.94	0.94	0.94	0.93	0.92	0.92	0.91	0.91	0.91	0.91	0.88	0.88	
			3/4 [19.05]	1.00	1.00	1.00	0.99	0.98	0.98	0.98	0.98	0.98	0.98	0.97	0.97	0.97	0.97	0.96	0.96	0.96	0.95	0.95	
30	3/4" [19.06]	7/8 [22.23]	1.00	1.00	1.00	1.00	1.00	1.00	1.00	1.00	1.00	1.00	1.00	1.00	1.00	1.00	1.00	1.00	1.00	1.00			
			1 [25.4]	1.00	1.00	1.00	1.00	1.00	1.00	1.00	1.00	1.00	1.00	1.00	1.00	1.00	1.00	1.00	1.00	1.00	1.00		
			1-1/8 [28.58]	N/R	N/R	N/R	N/R	N/R	N/R	N/R	N/R	N/R	N/R	N/R	N/R	N/R	N/R	N/R	N/R	N/R	N/R	N/R	
			5/8 [15.88]	0.99	0.97	0.97	0.95	0.94	0.94	0.94	0.94	0.94	0.94	0.93	0.92	0.92	0.91	0.91	0.91	0.91	0.88	0.88	
			3/4 [19.05]	1.00	1.00	1.00	0.99	0.98	0.98	0.98	0.98	0.98	0.98	0.97	0.97	0.97	0.97	0.96	0.96	0.96	0.95	0.95	
			7/8 [22.23]	1.00	1.00	1.00	1.00	1.00	1.00	1.00	1.00	1.00	1.00	1.00	1.00	1.00	1.00	1.00	1.00	1.00	1.00	1.00	
36	3/4" [19.06]	1 [25.4]	1.00	1.00	1.00	1.00	1.00	1.00	1.00	1.00	1.00	1.00	1.00	1.00	1.00	1.00	1.00	1.00	1.00	1.00	1.00		
			1-1/8 [28.58]	N/R	N/R	N/R	N/R	N/R	N/R	N/R	N/R	N/R	N/R	N/R	N/R	N/R	N/R	N/R	N/R	N/R	N/R	N/R	
			5/8 [15.88]	1.00	0.97	0.97	0.95	0.94	0.94	0.94	0.94	0.94	0.93	0.93	0.92	0.92	0.91	0.91	0.91	0.91	0.87	0.86	
			3/4 [19.05]	1.00	1.00	1.00	0.99	0.98	0.98	0.98	0.98	0.98	0.98	0.98	0.97	0.97	0.97	0.96	0.96	0.96	0.95	0.95	
			7/8 [22.23]	1.01	1.01	1.01	1.00	1.00	1.00	1.00	1.00	1.00	1.00	1.00	1.00	1.00	1.00	1.00	1.00	1.00	0.98	0.98	
			1 [25.4]	1.01	1.01	1.01	1.01	1.01	1.01	1.01	1.01	1.01	1.01	1.01	1.01	1.01	1.01	1.00	1.00	1.00	1.01	1.01	
42	3/4" [19.06]	1-1/8 [28.58]	N/R	N/R	N/R	N/R	N/R	N/R	N/R	N/R	N/R	N/R	N/R	N/R	N/R	N/R	N/R	N/R	N/R	N/R	N/R		
			5/8 [15.88]	1.00	0.98	0.96	0.95	0.94	0.94	0.94	0.94	0.92	0.92	0.91	0.91	0.91	0.88	0.87	0.87	0.86	0.85	0.85	
			3/4 [19.05]	1.01	1.01	1.00	0.99	0.99	0.99	0.99	0.99	0.99	0.98	0.97	0.97	0.97	0.96	0.95	0.95	0.95	0.94	0.94	
			7/8 [22.23]	1.00	1.01	1.01	1.01	1.01	1.01	1.01	1.01	1.01	1.01	1.01	1.01	1.01	1.01	1.00	1.00	1.00	0.99	0.99	
			1 [25.4]	1.03	1.02	1.02	1.02	1.02	1.02	1.02	1.02	1.02	1.02	1.02	1.02	1.02	1.01	1.01	1.01	1.01	1.01	1.01	
			1-1/8 [28.58]	1.03	1.03	1.02	1.02	1.02	1.02	1.02	1.02	1.02	1.02	1.02	1.02	1.02	1.02	1.02	1.02	1.01	1.01	1.01	1.01
48	3/4" [19.06]	5/8 [15.88]	0.99	0.96	0.94	0.92	0.91	0.91	0.91	0.89	0.89	0.87	0.87	0.86	0.84	0.83	0.83	0.82	0.82	0.8	0.8		
			3/4 [19.05]	1.01	1.00	0.99	0.97	0.97	0.97	0.96	0.96	0.96	0.95	0.94	0.94	0.94	0.93	0.93	0.92	0.92	0.92	0.92	
			7/8 [22.23]	1.00	1.01	1.01	1.00	1.00	1.00	1.00	1.00	0.99	0.99	0.99	0.99	0.98	0.98	0.98	0.97	0.97	0.97	0.97	
			1 [25.4]	N/R	N/R	N/R	N/R	N/R	N/R	N/R	N/R	N/R	N/R	N/R	N/R	N/R	N/R	N/R	N/R	N/R	N/R	N/R	N/R
			1-1/8 [28.58]	N/R	N/R	N/R	N/R	N/R	N/R	N/R	N/R	N/R	N/R	N/R	N/R	N/R	N/R	N/R	N/R	N/R	N/R	N/R	N/R
			5/8 [15.88]	0.79	0.99	0.95	0.95	0.95	0.93	0.91	0.89	0.89	0.89	0.89	0.89	0.89	0.88	0.87	0.87	0.86	0.85	0.85	0.85
60	3/4" [19.06]	3/4 [19.05]	0.9	1.01	1.00	0.99	0.97	0.97	0.96	0.96	0.96	0.96	0.96	0.96	0.95	0.94	0.94	0.93	0.92	0.92	0.92		
			7/8 [22.23]	1.00	1.01	1.01	1.01	1.01	1.01	1.01	1.00	1.00	1.00	1.00	1.00	1.00	1.00	1.00	1.00	1.00	1.00	1.00	
			1 [25.4]	1.00	1.02	1.01	1.01	1.01	1.01	1.01	1.01	1.01	1.01	1.01	1.01	1.01	1.01	1.01	1.01	1.01	1.01	1.01	
			1-1/8 [28.58]	N/R	N/R	N/R	N/R	N/R	N/R	N/R	N/R	N/R	N/R	N/R	N/R	N/R	N/R	N/R	N/R	N/R	N/R	N/R	N/R
			5/8 [15.88]	0.79	0.99	0.95	0.95	0.95	0.93	0.91	0.89	0.89	0.89	0.89	0.89	0.89	0.88	0.87	0.87	0.86	0.85	0.85	0.85
			3/4 [19.05]	0.9	1.01	1.00	0.99	0.97	0.97	0.96	0.96	0.96	0.96	0.96	0.96	0.95	0.94	0.94	0.93	0.92	0.92	0.92	0.92

NOTES:
 N/R = Application not recommended.
 All calculations assume a 3/8" liquid line

[] Designates Metric Conversions

Performance Data @ AHRI Standard Conditions – Heat Pump

High Sales Volume Tested Combination (HSVTC)													
Outdoor Unit	Air Handler	Total Capacity BTU/H [kW]	Net Sensible BTU/H [kW]	Net Latent BTU/H [kW]	SEER	EER	Indoor CFM [L/s]	47 Degree Heating Capacity BTU/H [kW]	47 Degree COP	17 Degree Heating Capacity BTU/H [kW]	47 Degree COP	Region IV HSPF	AHRI#
RP1518AJ1	RH1T2417STAN	18800 [5.5]	13700 [4.0]	5100 [1.5]	15	12.5	575 [271.4]	17000 [5.0]	3.6	10200 [3.0]	2.4	8.5	7508987
RP1524AJ1	RH1T2417STAN	25400 [7.4]	18600 [5.5]	6800 [2.0]	15	12.5	800 [377.6]	22200 [6.5]	3.6	13600 [4.0]	2.4	8.5	7509020
RP1530AJ1	RH1T3617STAN	30200 [8.9]	22700 [6.7]	7500 [2.2]	15.5	13	1050 [495.5]	28200 [8.3]	3.5	16600 [4.9]	2.2	8.2	7509100
RP1536AC1	RH1T3617STAN	35600 [10.4]	26400 [7.7]	9200 [2.7]	15	12.5	1175 [554.5]	33800 [9.9]	3.66	22200 [6.5]	2.66	8.5	7512069
RP1536AJ1	RH1T3617STAN	35600 [10.4]	26400 [7.7]	9200 [2.7]	15	12.5	1175 [554.5]	33800 [9.9]	3.66	22200 [6.5]	2.66	8.5	7512115
RP1542AC1	RH1T4821STAN	42500 [12.5]	30500 [8.9]	12000 [3.5]	15	12.5	1350 [637.1]	40000 [11.7]	3.76	25600 [7.5]	2.6	8.5	7512302
RP1542AJ1	RH1T4821STAN	42500 [12.5]	30500 [8.9]	12000 [3.5]	15	12.5	1350 [637.1]	40000 [11.7]	3.76	25600 [7.5]	2.6	8.5	7512350
RP1548AC1	RH1T4821STAN	47000 [13.8]	34100 [10.0]	12900 [3.8]	15	12.5	1500 [707.9]	44500 [13.0]	3.66	28800 [8.4]	2.6	8.5	7512150
RP1548AJ1	RH1T4821STAN	47000 [13.8]	34100 [10.0]	12900 [3.8]	15	12.5	1500 [707.9]	44500 [13.0]	3.66	28800 [8.4]	2.6	8.5	7512187
RP1560AC1	RH1T6024STAN	58000 [17.0]	42400 [12.4]	15600 [4.6]	15	12.5	1775 [837.7]	56000 [16.4]	3.76	35600 [10.4]	2.66	8.5	7512221
RP1560AJ1	RH1T6024STAN	58000 [17.0]	42400 [12.4]	15600 [4.6]	15	12.5	1775 [837.7]	56000 [16.4]	3.76	35600 [10.4]	2.66	8.5	7512254

Coil Only Ratings													
Outdoor Unit	Indoor Coil	Total Capacity BTU/H [kW]	Net Sensible BTU/H [kW]	Net Latent BTU/H [kW]	SEER	EER	Indoor CFM [L/s]	47 Degree Heating Capacity BTU/H [kW]	47 Degree COP	17 Degree Heating Capacity BTU/H [kW]	47 Degree COP	Region IV HSPF	AHRI#
RP1536AC1	RCF3617STAM+RXMD-C04	34400 [10.1]	23800 [7.0]	10600 [3.1]	14	11.5	1075 [507.3]	33000 [9.7]	3.34	22000 [6.4]	2.46	8.5	7512039
RP1536AJ1	RCF3621STAM+RXMD-C04	34800 [10.2]	24600 [7.2]	10200 [3.0]	14	11.5	1150 [542.7]	31800 [9.3]	3.2	21000 [6.2]	2.34	8.2	7512066
RP1536AJ1	RCF3617STAM+RXMD-C04	34400 [10.1]	23800 [7.0]	10600 [3.1]	14	11.5	1075 [507.3]	33000 [9.7]	3.34	22000 [6.4]	2.46	8.5	7512085
RP1542AC1	RCF3621STAM+RXMD-C04	34800 [10.2]	24600 [7.2]	10200 [3.0]	14	11.5	1150 [542.7]	31800 [9.3]	3.2	21000 [6.2]	2.34	8.2	7512112
RP1542AC1	RCF4821STAM+RXMD-C04	41500 [12.2]	28600 [8.4]	12900 [3.8]	14	11.5	1350 [637.1]	40000 [11.7]	3.5	25800 [7.6]	2.46	8.5	7512276
RP1542AJ1	RCF4824STAM+RXMD-C04	41500 [12.2]	28600 [8.4]	12900 [3.8]	14	11.5	1350 [637.1]	39500 [11.6]	3.46	25600 [7.5]	2.46	8.5	7512301
RP1542AJ1	RCF4821STAM+RXMD-C04	41500 [12.2]	28600 [8.4]	12900 [3.8]	14	11.5	1350 [637.1]	40000 [11.7]	3.5	25800 [7.6]	2.46	8.5	7512324
RP1548AC1	RCF4824STAM+RXMD-C04	41500 [12.2]	28600 [8.4]	12900 [3.8]	14	11.5	1350 [637.1]	39500 [11.6]	3.46	25600 [7.5]	2.46	8.5	7512349
RP1548AJ1	RCF4821STAM+RXMD-C04	45500 [13.3]	30600 [9.0]	14900 [4.4]	14.5	12	1375 [648.9]	43000 [12.6]	3.3	28000 [8.2]	2.34	8.5	7512130
RP1560AC1	RCF4824STAM+RXMD-C04	45500 [13.3]	30600 [9.0]	14900 [4.4]	14.5	12	1375 [648.9]	42500 [12.5]	3.3	27800 [8.1]	2.34	8.5	7512148
RP1560AJ1	RCF4821STAM+RXMD-C04	45500 [13.3]	30600 [9.0]	14900 [4.4]	14.5	12	1375 [648.9]	43000 [12.6]	3.3	28000 [8.2]	2.34	8.5	7512167
RP1560AC1	RCF6024HTAM+RXMD-C04	45500 [13.3]	30600 [9.0]	14900 [4.4]	14.5	12	1375 [648.9]	42500 [12.5]	3.3	27800 [8.1]	2.34	8.5	7512185
RP1560AJ1	RCF6024HTAM+RXMD-C04	45500 [13.3]	30600 [9.0]	14900 [4.4]	14.5	12	1375 [648.9]	42500 [12.5]	3.3	27800 [8.1]	2.34	8.5	7512204
RP1560AC1	RCF6024STAM+RXMD-C04	56500 [16.6]	37800 [11.1]	18700 [5.5]	14	11.5	1600 [755.1]	56000 [16.4]	3.6	35600 [10.4]	2.54	8.5	7512220
RP1560AJ1	RCF6024STAM+RXMD-C04	56500 [16.6]	37800 [11.1]	18700 [5.5]	14	11.5	1600 [755.1]	56000 [16.4]	3.6	35600 [10.4]	2.54	8.5	7512237
RP1560AJ1	RCF6024STAM+RXMD-C04	56500 [16.6]	37800 [11.1]	18700 [5.5]	14	11.5	1600 [755.1]	56000 [16.4]	3.6	35600 [10.4]	2.54	8.5	7512253

[] Designates Metric Conversions



Performance Data @ AHRI Standard Conditions – Heat Pump (con't.)

R801T: Classic Plus Single-Stage X-13 80% Furnace Ratings

Outdoor Unit	Furnace	Indoor Coil	Total Capacity BTU/H [kW]	Net Sensible BTU/H [kW]	Net Latent BTU/H [kW]	SEER	EER	Indoor CFM [L/s]	47 Degree Heating Capacity BTU/H [kW]	47 Degree COP	17 Degree Heating Capacity BTU/H [kW]	47 Degree COP	Region IV HSPF	AHRI#
RP1518AJ1	R801TA050314MSA	RCF2417STAM	19000 [5.6]	13900 [4.1]	5100 [1.5]	15	12.5	625 [295.0]	17000 [5.0]	3.6	10300 [3.0]	2.4	8.5	7508962
RP1518AJ1	R801TA075317ZSA	RCF2417STAM	19100 [5.6]	14100 [4.1]	5000 [1.5]	15	12.5	650 [306.8]	17100 [5.0]	3.54	10400 [3.0]	2.4	8.2	7508963
RP1524AJ1	R801TA050314MSA	RCF2417STAM	25200 [7.4]	18400 [5.4]	6800 [2.0]	14.5	12	825 [389.4]	22200 [6.5]	3.6	13700 [4.0]	2.34	8.5	7508990
RP1524AJ1	R801TA075317ZSA	RCF2417STAM	25400 [7.4]	18700 [5.5]	6700 [2.0]	14.5	12	850 [401.2]	22400 [6.6]	3.54	13800 [4.0]	2.34	8.5	7508992
RP1530AJ1	R801TA050314MSA	RCF3617STAM	29800 [8.7]	22100 [6.5]	7700 [2.3]	15	12.5	1000 [471.9]	28400 [8.3]	3.5	16700 [4.9]	2.2	8.2	7509025
RP1530AJ1	R801TA075317ZSA	RCF3617STAM	29800 [8.7]	22300 [6.5]	7500 [2.2]	14.5	12	1050 [495.5]	28600 [8.4]	3.46	16900 [5.0]	2.16	8.2	7509027
RP1530AJ1	R801TA075317ZSA	RCF3621STAM	30000 [8.8]	22500 [6.6]	7500 [2.2]	15	12.5	1050 [495.5]	28600 [8.4]	3.46	16800 [4.9]	2.16	8.2	7509051
RP1530AJ1	R801TA075417MSA	RCF3617STAM	29600 [8.7]	21800 [6.4]	7800 [2.3]	15	12.5	975 [460.1]	28400 [8.3]	3.54	16700 [4.9]	2.2	8.2	7509029
RP1530AJ1	R801TA075417MSA	RCF3621STAM	29800 [8.7]	21700 [6.5]	7700 [2.3]	15	12.5	1000 [471.9]	28400 [8.3]	3.54	16600 [4.9]	2.2	8.2	7509053
RP1530AJ1	R801TA075521ZSA	RCF3621STAM	29600 [8.7]	21700 [6.4]	7900 [2.3]	15	12.5	950 [448.4]	28200 [8.3]	3.54	16600 [4.9]	2.2	8.5	7509055
RP1530AJ1	R801TA100521ZSA	RCF3621STAM	29800 [8.7]	21700 [6.5]	7700 [2.3]	15.5	13	1000 [471.9]	28200 [8.3]	3.54	16600 [4.9]	2.2	8.5	7509056
RP1530AJ1	R801TA100521ZSA	RCF3621STAM	29600 [8.7]	21700 [6.4]	7900 [2.3]	15	12.5	950 [448.4]	28200 [8.3]	3.54	16600 [4.9]	2.2	8.5	7509058
RP1536AC1	R801TA050314MSA	RCF3617STAM	35200 [10.3]	25900 [7.6]	9300 [2.7]	14.5	12	1175 [554.5]	34200 [10.0]	3.6	22400 [6.6]	2.6	8.5	7512026
RP1536AC1	R801TA075317ZSA	RCF3617STAM	35200 [10.3]	26000 [7.6]	9200 [2.7]	14	11.5	1200 [566.3]	34200 [10.0]	3.54	22600 [6.6]	2.6	8.5	7512027
RP1536AC1	R801TA075317ZSA	RCF3621STAM	35200 [10.3]	26000 [7.6]	9200 [2.7]	14.5	12	1200 [566.3]	34200 [10.0]	3.6	22600 [6.6]	2.6	8.5	7512040
RP1536AC1	R801TA075417MSA	RCF3617STAM	35600 [10.4]	26600 [7.8]	9000 [2.6]	14.5	12	1225 [578.1]	34200 [10.0]	3.6	22600 [6.6]	2.6	8.5	7512028
RP1536AC1	R801TA100521ZSA	RCF3621STAM	35400 [10.4]	26000 [7.6]	9400 [2.8]	15	12.5	1150 [542.7]	34000 [10.0]	3.66	22400 [6.6]	2.66	8.5	7512041
RP1536AC1	R801TA050314MSA	RCF3617STAM	35200 [10.3]	25900 [7.6]	9300 [2.7]	14.5	12	1175 [554.5]	34200 [10.0]	3.6	22400 [6.6]	2.6	8.5	7512072
RP1536AJ1	R801TA075317ZSA	RCF3617STAM	35200 [10.3]	26000 [7.6]	9200 [2.7]	14	11.5	1200 [566.3]	34200 [10.0]	3.54	22600 [6.6]	2.6	8.5	7512073
RP1536AJ1	R801TA075317ZSA	RCF3621STAM	35200 [10.3]	26000 [7.6]	9200 [2.7]	14.5	12	1200 [566.3]	34200 [10.0]	3.6	22600 [6.6]	2.6	8.5	7512086
RP1536AJ1	R801TA075417MSA	RCF3617STAM	35600 [10.4]	26600 [7.8]	9000 [2.6]	14.5	12	1225 [578.1]	34200 [10.0]	3.6	22600 [6.6]	2.6	8.5	7512074
RP1536AJ1	R801TA075521ZSA	RCF3621STAM	35400 [10.4]	26000 [7.6]	9400 [2.8]	15	12.5	1150 [554.5]	34000 [10.0]	3.66	22400 [6.6]	2.66	8.5	7512087
RP1536AJ1	R801TA100521ZSA	RCF3621STAM	35400 [10.4]	26100 [7.6]	9300 [2.7]	14.5	12	1175 [554.5]	34000 [10.0]	3.66	22400 [6.6]	2.66	8.5	7512088
RP1536AJ1	R801TA100521ZSA	RCF3621STAM	35400 [10.4]	26100 [7.6]	9300 [2.7]	15	12.5	1175 [554.5]	34000 [10.0]	3.66	22400 [6.6]	2.66	8.5	7512089
RP1542AC1	R801TA075317ZSA	RCF4821STAM	42000 [12.3]	29900 [8.8]	12100 [3.5]	14	11.5	1350 [637.1]	40500 [11.9]	3.66	22400 [6.6]	2.66	8.5	7512257
RP1542AC1	R801TA075417MSA	RCF4821STAM	42000 [12.3]	29500 [8.6]	12500 [3.7]	14.5	12	1275 [601.7]	40000 [11.7]	3.76	25600 [7.5]	2.6	8.5	7512258
RP1542AC1	R801TA075521ZSA	RCF4821STAM	41500 [12.2]	28800 [8.4]	12700 [3.7]	14.5	12	1225 [578.1]	39500 [11.6]	3.7	25200 [7.4]	2.6	8.5	7512259
RP1542AC1	R801TA075521ZSA	RCF4824STAM	41500 [12.2]	28800 [8.4]	12700 [3.7]	14.5	12	1225 [578.1]	39500 [11.6]	3.7	25200 [7.4]	2.6	8.5	7512277
RP1542AC1	R801TA100521ZSA	RCF4821STAM	42500 [12.5]	30700 [9.0]	11800 [3.5]	14.5	12	1400 [660.7]	40000 [11.7]	3.76	25600 [7.5]	2.6	8.5	7512260
RP1542AC1	R801TA100521ZSA	RCF4824STAM	42500 [12.5]	30700 [9.0]	11800 [3.5]	14.5	12	1400 [660.7]	40000 [11.7]	3.76	25600 [7.5]	2.6	8.5	7512278
RP1542AC1	R801TA100521ZSA	RCF4821STAM	41500 [12.2]	28800 [8.4]	12700 [3.7]	14.5	12	1225 [578.1]	39500 [11.6]	3.76	25200 [7.4]	2.6	8.5	7512261
RP1542AC1	R801TA100521ZSA	RCF4824STAM	41500 [12.2]	28800 [8.4]	12700 [3.7]	14.5	12	1225 [578.1]	39500 [11.6]	3.76	25200 [7.4]	2.6	8.5	7512279
RP1542AC1	R801TA125524MSA	RCF4824STAM	42500 [12.5]	30400 [8.9]	12100 [3.5]	15	12.5	1350 [637.1]	40000 [11.7]	3.8	25600 [7.5]	2.66	8.5	7512280

[] Designates Metric Conversions



Performance Data @ AHRI Standard Conditions – Heat Pump (con't.)

R801T: Classic Plus Single-Stage X-13 80% Furnace Ratings														
Outdoor Unit	Furnace	Indoor Coil	Total Capacity BTU/H [kW]	Net Sensible BTU/H [kW]	Net Latent BTU/H [kW]	SEER	EER	Indoor CFM [L/s]	47 Degree Heating Capacity BTU/H [kW]	47 Degree COP	17 Degree Heating Capacity BTU/H [kW]	47 Degree COP	Region IV HSPF	AHRI#
RP1542AC1	R801TA125524ZSA	RCF4824STAM	42000 [12.3]	29900 [8.8]	12100 [3.5]	14.5	12	1350 [637.1]	40000 [11.7]	3.76	25800 [7.6]	2.6	8.5	7512281
RP1542AJ1	R801TA075317ZSA	RCF4821STAM	42000 [12.3]	29900 [8.8]	12100 [3.5]	14	11.5	1350 [637.1]	40500 [11.9]	3.66	26200 [7.7]	2.54	8.5	7512305
RP1542AJ1	R801TA075417MISA	RCF4821STAM	42000 [12.3]	29500 [8.6]	12500 [3.7]	14.5	12	1275 [601.7]	40000 [11.7]	3.76	25600 [7.5]	2.6	8.5	7512306
RP1542AJ1	R801TA075521ZSA	RCF4821STAM	41500 [12.2]	28800 [8.4]	12700 [3.7]	14.5	12	1225 [578.1]	39500 [11.6]	3.7	25200 [7.4]	2.6	8.5	7512307
RP1542AJ1	R801TA100521MISA	RCF4824STAM	41500 [12.2]	28800 [8.4]	12700 [3.7]	14.5	12	1225 [578.1]	39500 [11.6]	3.7	25200 [7.4]	2.6	8.5	7512325
RP1542AJ1	R801TA100521ZSA	RCF4821STAM	42500 [12.5]	30700 [9.0]	11800 [3.5]	14.5	12	1400 [660.7]	40000 [11.7]	3.76	25600 [7.5]	2.6	8.5	7512308
RP1542AJ1	R801TA100521ZSA	RCF4824STAM	42500 [12.5]	30700 [9.0]	11800 [3.5]	14.5	12	1400 [660.7]	40000 [11.7]	3.76	25600 [7.5]	2.6	8.5	7512326
RP1542AJ1	R801TA100521ZSA	RCF4821STAM	41500 [12.2]	28800 [8.4]	12700 [3.7]	14.5	12	1225 [578.1]	39500 [11.6]	3.76	25200 [7.4]	2.6	8.5	7512309
RP1542AJ1	R801TA100521ZSA	RCF4824STAM	41500 [12.2]	28800 [8.4]	12700 [3.7]	14.5	12	1225 [578.1]	39500 [11.6]	3.76	25200 [7.4]	2.6	8.5	7512327
RP1542AJ1	R801TA125524MISA	RCF4824STAM	42500 [12.5]	30400 [8.9]	12100 [3.5]	15	12.5	1350 [637.1]	40000 [11.7]	3.8	25600 [7.5]	2.66	8.5	7512328
RP1542AJ1	R801TA125524ZSA	RCF4824STAM	42000 [12.3]	29900 [8.8]	12100 [3.5]	14.5	12	1350 [637.1]	40000 [11.7]	3.76	25800 [7.6]	2.6	8.5	7512329
RP1548AC1	R801TA075417MISA	RCF4821STAM	46000 [13.5]	32600 [9.6]	13400 [3.9]	14.5	12	1425 [672.5]	45000 [13.2]	3.6	29000 [8.5]	2.54	8.5	7512117
RP1548AC1	R801TA075521ZSA	RCF4821STAM	46000 [13.5]	32400 [9.5]	13600 [4.0]	14.5	12	1400 [660.7]	44500 [13.0]	3.66	28800 [8.4]	2.54	8.5	7512118
RP1548AC1	R801TA100521ZSA	RCF4824STAM	46000 [13.5]	32400 [9.5]	13600 [4.0]	14.5	12	1400 [660.7]	44500 [13.0]	3.66	28800 [8.4]	2.54	8.5	7512131
RP1548AC1	R801TA100521MISA	RCF4821STAM	46000 [13.5]	32300 [9.5]	13700 [4.0]	15	12.5	1375 [648.9]	44500 [13.0]	3.7	29400 [8.3]	2.54	8.5	7512119
RP1548AC1	R801TA100521ZSA	RCF4824STAM	46000 [13.5]	32300 [9.5]	13700 [4.0]	15	12.5	1375 [648.9]	44500 [13.0]	3.7	29400 [8.3]	2.54	8.5	7512132
RP1548AJ1	R801TA100521ZSA	RCF4821STAM	46000 [13.5]	32400 [9.5]	13600 [4.0]	14.5	12	1400 [660.7]	44500 [13.0]	3.66	28600 [8.4]	2.54	8.5	7512120
RP1548AJ1	R801TA125524MISA	RCF4824STAM	46000 [13.5]	32400 [9.5]	13600 [4.0]	14.5	12	1400 [660.7]	44500 [13.0]	3.66	28600 [8.4]	2.54	8.5	7512133
RP1548AJ1	R801TA075417MISA	RCF4821STAM	47000 [13.8]	34700 [10.2]	12300 [3.6]	15	12.5	1600 [755.1]	45000 [13.2]	3.6	29200 [8.6]	2.54	8.5	7512134
RP1548AJ1	R801TA075521ZSA	RCF4821STAM	46000 [13.5]	32600 [9.6]	13400 [3.9]	14.5	12	1425 [672.5]	45000 [13.2]	3.6	29000 [8.5]	2.54	8.5	7512154
RP1548AJ1	R801TA075521ZSA	RCF4824STAM	46000 [13.5]	32400 [9.5]	13600 [4.0]	14.5	12	1400 [660.7]	44500 [13.0]	3.66	28800 [8.4]	2.54	8.5	7512155
RP1548AJ1	R801TA100521MISA	RCF4821STAM	46000 [13.5]	32300 [9.5]	13700 [4.0]	15	12.5	1375 [648.9]	44500 [13.0]	3.7	29400 [8.3]	2.54	8.5	7512156
RP1548AJ1	R801TA100521ZSA	RCF4824STAM	46000 [13.5]	32300 [9.5]	13700 [4.0]	15	12.5	1375 [648.9]	44500 [13.0]	3.7	29400 [8.3]	2.54	8.5	7512169
RP1548AJ1	R801TA100521ZSA	RCF4821STAM	46000 [13.5]	32400 [9.5]	13600 [4.0]	14.5	12	1400 [660.7]	44500 [13.0]	3.66	28600 [8.4]	2.54	8.5	7512157
RP1548AJ1	R801TA125524MISA	RCF4824STAM	47000 [13.8]	34700 [10.2]	12300 [3.6]	14.5	12	1400 [660.7]	44500 [13.0]	3.66	28600 [8.4]	2.54	8.5	7512170
RP1560AC1	R801TA075521ZSA	RCF6024HTAM	57000 [16.7]	40600 [11.9]	16400 [4.8]	14	11.5	1700 [802.3]	56500 [16.6]	3.7	35800 [10.5]	2.54	8.5	7512191
RP1560AC1	R801TA075521ZSA	RCF6024STAM	57000 [16.7]	40600 [11.9]	16400 [4.8]	14	11.5	1700 [802.3]	56500 [16.6]	3.7	35800 [10.5]	2.54	8.5	7512205
RP1560AC1	R801TA100521MISA	RCF6024HTAM	58000 [17.0]	42600 [12.5]	15400 [4.5]	14.5	12	1825 [861.3]	56500 [16.6]	3.76	36000 [10.6]	2.66	8.5	7512192
RP1560AC1	R801TA100521MISA	RCF6024STAM	58000 [17.0]	42600 [12.5]	15400 [4.5]	14.5	12	1825 [861.3]	56500 [16.6]	3.76	36000 [10.6]	2.66	8.5	7512206
RP1560AC1	R801TA100521ZSA	RCF6024HTAM	57000 [16.7]	40600 [11.9]	16400 [4.8]	14	11.5	1700 [802.3]	56500 [16.6]	3.76	35600 [10.4]	2.6	8.5	7512193
RP1560AC1	R801TA100521ZSA	RCF6024STAM	57000 [16.7]	40600 [11.9]	16400 [4.8]	14	11.5	1700 [802.3]	56500 [16.6]	3.76	35600 [10.4]	2.6	8.5	7512207
RP1560AC1	R801TA125524MISA	RCF6024HTAM	57500 [16.9]	40700 [11.9]	16800 [4.9]	15	12.5	1650 [778.7]	55500 [16.3]	3.8	35000 [10.3]	2.6	8.5	7512194
RP1560AC1	R801TA125524MISA	RCF6024STAM	57500 [16.9]	40700 [11.9]	16800 [4.9]	15	12.5	1650 [778.7]	55500 [16.3]	3.8	35000 [10.3]	2.6	8.5	7512208

[] Designates Metric Conversions



Performance Data @ AHRI Standard Conditions – Heat Pump (con't.)

R801T: Classic Plus Single-Stage X-13 80% Furnace Ratings

Outdoor Unit	Furnace	Indoor Coil	Total Capacity BTU/H [kW]	Net Sensible BTU/H [kW]	Net Latent BTU/H [kW]	SEER	EER	Indoor CFM [L/s]	47 Degree Heating Capacity BTU/H [kW]	47 Degree COP	17 Degree Heating Capacity BTU/H [kW]	47 Degree COP	Region IV HSPF	AHRI#
RP1560AC1	R801TA12552ZSA	RCF6024HTAM	57000 [16.7]	40400 [11.8]	16600 [4.9]	14.5	12	1675 [790.5]	56000 [16.4]	3.76	35400 [10.4]	2.6	8.5	7512195
		RCF6024STAM	57000 [16.7]	40400 [11.8]	16600 [4.9]	14.5	12	1675 [790.5]	56000 [16.4]	3.76	35400 [10.4]	2.6	8.5	7512209
RP1560AJ1	R801TA075521ZSA	RCF6024HTAM	57000 [16.7]	40600 [11.9]	16400 [4.8]	14	11.5	1700 [802.3]	56500 [16.6]	3.7	35800 [10.5]	2.54	8.5	7512224
		RCF6024STAM	57000 [16.7]	40600 [11.9]	16400 [4.8]	14	11.5	1700 [802.3]	56500 [16.6]	3.7	35800 [10.5]	2.54	8.5	7512238
RP1560AJ1	R801TA100521MSA	RCF6024HTAM	58000 [17.0]	42600 [12.5]	15400 [4.5]	14.5	12	1825 [861.3]	56500 [16.6]	3.76	36000 [10.6]	2.66	8.5	7512225
		RCF6024STAM	58000 [17.0]	42600 [12.5]	15400 [4.5]	14.5	12	1825 [861.3]	56500 [16.6]	3.76	36000 [10.6]	2.66	8.5	7512239
RP1560AJ1	R801TA100521ZSA	RCF6024HTAM	57000 [16.7]	40600 [11.9]	16400 [4.8]	14	11.5	1700 [802.3]	56500 [16.6]	3.76	35600 [10.4]	2.6	8.5	7512226
		RCF6024STAM	57000 [16.7]	40600 [11.9]	16400 [4.8]	14	11.5	1700 [802.3]	56500 [16.6]	3.76	35600 [10.4]	2.6	8.5	7512240
RP1560AJ1	R801TA125524MSA	RCF6024HTAM	57500 [16.9]	40700 [11.9]	16800 [4.9]	15	12.5	1650 [778.7]	55500 [16.3]	3.8	35000 [10.3]	2.6	8.5	7512227
		RCF6024STAM	57500 [16.9]	40700 [11.9]	16800 [4.9]	15	12.5	1650 [778.7]	55500 [16.3]	3.8	35000 [10.3]	2.6	8.5	7512241
RP1560AJ1	R801TA125524ZSA	RCF6024HTAM	57000 [16.7]	40400 [11.8]	16600 [4.9]	14.5	12	1675 [790.5]	56000 [16.4]	3.76	35400 [10.4]	2.6	8.5	7512228
		RCF6024STAM	57000 [16.7]	40400 [11.8]	16600 [4.9]	14.5	12	1675 [790.5]	56000 [16.4]	3.76	35400 [10.4]	2.6	8.5	7512242

[] Designates Metric Conversions



Performance Data @ AHRI Standard Conditions – Heat Pump (con't.)

RGPT: Single Stage Upflow Constant Torque 80% Furnace Ratings														
Outdoor Unit	Furnace	Indoor Coil	Total Capacity BTU/H [kW]	Net Sensible BTU/H [kW]	Net Latent BTU/H [kW]	SEER	EER	Indoor CFM [L/s]	47 Degree Heating Capacity BTU/H [kW]	47 Degree COP	17 Degree Heating Capacity BTU/H [kW]	47 Degree COP	Region IV HSPF	AHRI#
RP1518AJ1	RGPT-057BMK?	RCF2417STAM	19000 [5.6]	14000 [4.1]	5000 [1.5]	14.5	12	650 [306.8]	17100 [5.0]	3.54	10400 [3.0]	2.4	8.2	7508978
RP1518AJ1	RGPT-077AMK?	RCF2417STAM	18900 [5.5]	13800 [4.0]	5100 [1.5]	14.5	12	625 [295.0]	17100 [5.0]	3.6	10400 [3.0]	2.4	8.5	7508980
RP1524AJ1	RGPT-057BMK?	RCF2417STAM	25400 [7.4]	18800 [5.5]	6600 [1.9]	14.5	12	875 [413.0]	22400 [6.6]	3.54	13900 [4.1]	2.34	8.5	7509010
RP1524AJ1	RGPT-077AMK?	RCF2417STAM	25400 [7.4]	18800 [5.5]	6600 [1.9]	14.5	12	875 [413.0]	22400 [6.6]	3.54	13800 [4.0]	2.34	8.5	7509012
RP1530AJ1	RGPT-057BMK?	RCF3617STAM	29800 [8.7]	22300 [6.5]	7500 [2.2]	14.5	12	1050 [495.5]	28800 [8.4]	3.4	17000 [5.0]	2.16	8.2	7509040
RP1530AJ1	RGPT-077AMK?	RCF3621STAM	29800 [8.7]	22300 [6.5]	7500 [2.2]	14.5	12	1050 [495.5]	28600 [8.4]	3.4	17000 [5.0]	2.16	8.2	7509082
RP1530AJ1	RGPT-077BRQ?	RCF3617STAM	29800 [8.7]	22300 [6.5]	7500 [2.2]	14.5	12	1050 [495.5]	28600 [8.4]	3.46	16900 [5.0]	2.16	8.2	7509042
RP1530AJ1	RGPT-077BRQ?	RCF3621STAM	29800 [8.7]	22300 [6.5]	7500 [2.2]	14.5	12	1050 [495.5]	28600 [8.4]	3.46	16900 [5.0]	2.16	8.2	7509084
RP1530AJ1	RGPT-107BRM?	RCF3621STAM	29800 [8.7]	22000 [6.4]	7800 [2.3]	15.5	13	975 [460.1]	28200 [8.3]	3.54	16600 [4.9]	2.2	8.5	7509086
RP1536AC1	RGPT-057BMK?	RCF3621STAM	29800 [8.7]	22000 [6.4]	7800 [2.3]	15.5	13	975 [460.1]	28200 [8.3]	3.54	16600 [4.9]	2.2	8.5	7509087
RP1536AC1	RGPT-077AMK?	RCF3621STAM	35000 [10.3]	25800 [7.6]	9200 [2.7]	14	11.5	1200 [566.3]	34400 [10.1]	3.5	22800 [6.7]	2.54	8.5	7512056
RP1536AC1	RGPT-077BRQ?	RCF3617STAM	35000 [10.3]	25700 [7.5]	9300 [2.7]	14	11.5	1175 [554.5]	34400 [10.1]	3.54	22800 [6.7]	2.6	8.5	7512034
RP1536AC1	RGPT-107BRM?	RCF3621STAM	35200 [10.3]	26000 [7.6]	9200 [2.7]	14	11.5	1200 [566.3]	34400 [10.1]	3.54	22800 [6.7]	2.6	8.5	7512057
RP1536AC1	RGPT-057BMK?	RCF3621STAM	35600 [10.4]	26300 [7.7]	9300 [2.7]	15	12.5	1175 [554.5]	34000 [10.0]	3.66	22400 [6.6]	2.66	8.5	7512058
RP1536AC1	RGPT-077BRQ?	RCF3621STAM	35600 [10.4]	26300 [7.7]	9300 [2.7]	15	12.5	1175 [554.5]	33800 [9.9]	3.66	22400 [6.6]	2.66	8.5	7512059
RP1536AJ1	RGPT-077AMK?	RCF3621STAM	35200 [10.3]	25700 [7.5]	9300 [2.7]	14	11.5	1175 [554.5]	34400 [10.1]	3.5	22800 [6.7]	2.54	8.5	7512102
RP1536AJ1	RGPT-077BRQ?	RCF3621STAM	35200 [10.3]	26000 [7.6]	9200 [2.7]	14	11.5	1200 [566.3]	34400 [10.1]	3.54	22800 [6.7]	2.6	8.5	7512080
RP1536AJ1	RGPT-107BRM?	RCF3621STAM	35600 [10.4]	26300 [7.7]	9300 [2.7]	15	12.5	1175 [554.5]	34000 [10.0]	3.66	22400 [6.6]	2.66	8.5	7512103
RP1536AJ1	RGPT-077BRQ?	RCF3621STAM	35600 [10.4]	26300 [7.7]	9300 [2.7]	15	12.5	1175 [554.5]	33800 [9.9]	3.66	22400 [6.6]	2.66	8.5	7512104
RP1542AC1	RGPT-077AMK?	RCF4821STAM	41000 [12.0]	28300 [8.3]	12700 [3.7]	14	11.5	1225 [578.1]	40000 [11.7]	3.66	25600 [7.5]	2.5	8.5	7512271
RP1542AC1	RGPT-077BRQ?	RCF4821STAM	42500 [12.5]	30900 [9.1]	11600 [3.4]	14.5	12	1425 [672.5]	40500 [11.9]	3.7	26000 [7.6]	2.6	8.5	7512272
RP1542AC1	RGPT-107BRM?	RCF4824STAM	42500 [12.5]	30900 [9.1]	11600 [3.4]	14.5	12	1425 [672.5]	40500 [11.9]	3.7	26000 [7.6]	2.6	8.5	7512294
RP1542AC1	RGPT-107BRM?	RCF4821STAM	42500 [12.5]	30900 [9.1]	11600 [3.4]	14.5	12	1425 [672.5]	40500 [11.9]	3.7	25800 [7.6]	2.6	8.5	7512273
RP1542AC1	RGPT-127ARM?	RCF4824STAM	42500 [12.5]	30900 [9.1]	11600 [3.4]	14.5	12	1425 [672.5]	40500 [11.9]	3.7	25800 [7.6]	2.6	8.5	7512295
RP1542AJ1	RGPT-077AMK?	RCF4821STAM	41500 [12.2]	29000 [8.5]	12500 [3.7]	14.5	12	1275 [601.7]	40000 [11.7]	3.76	25800 [7.6]	2.6	8.5	7512296
RP1542AJ1	RGPT-077BRQ?	RCF4821STAM	41000 [12.0]	28300 [8.3]	12700 [3.7]	14	11.5	1225 [578.1]	40000 [11.7]	3.66	25600 [7.5]	2.5	8.5	7512319
RP1542AJ1	RGPT-107BRM?	RCF4821STAM	42500 [12.5]	30900 [9.1]	11600 [3.4]	14.5	12	1425 [672.5]	40500 [11.9]	3.7	26000 [7.6]	2.6	8.5	7512320
RP1542AJ1	RGPT-077BRQ?	RCF4824STAM	42500 [12.5]	30900 [9.1]	11600 [3.4]	14.5	12	1425 [672.5]	40500 [11.9]	3.7	26000 [7.6]	2.6	8.5	7512342
RP1542AJ1	RGPT-107BRM?	RCF4821STAM	42500 [12.5]	30900 [9.1]	11600 [3.4]	14.5	12	1425 [672.5]	40500 [11.9]	3.7	25800 [7.6]	2.6	8.5	7512321
RP1542AJ1	RGPT-107BRM?	RCF4824STAM	42500 [12.5]	30900 [9.1]	11600 [3.4]	14.5	12	1425 [672.5]	40500 [11.9]	3.7	25800 [7.6]	2.6	8.5	7512343
RP1542AJ1	RGPT-127ARM?	RCF4824STAM	41500 [12.2]	29000 [8.5]	12500 [3.7]	14.5	12	1275 [601.7]	40000 [11.7]	3.76	25800 [7.6]	2.6	8.5	7512344
RP1548AC1	RGPT-077BRQ?	RCF4821STAM	46000 [13.5]	32400 [9.5]	13600 [4.0]	15	12.5	1400 [660.7]	44500 [13.0]	3.66	28800 [8.4]	2.54	8.5	7512126
RP1548AC1	RGPT-077BRQ?	RCF4824STAM	46000 [13.5]	32400 [9.5]	13600 [4.0]	15	12.5	1400 [660.7]	44500 [13.0]	3.66	28800 [8.4]	2.54	8.5	7512144

[] Designates Metric Conversions



Performance Data @ AHRI Standard Conditions – Heat Pump (con't.)

RGPT: Single Stage Upflow Constant Torque 80% Furnace Ratings														
Outdoor Unit	Furnace	Indoor Coil	Total Capacity BTU/H [kW]	Net Sensible BTU/H [kW]	Net Latent BTU/H [kW]	SEER	EER	Indoor CFM [L/s]	47 Degree Heating Capacity BTU/H [kW]	47 Degree COP	17 Degree Heating Capacity BTU/H [kW]	47 Degree COP	Region IV HSPF	AHRI#
RP1548AC1	RGPT-107BRM?	RCF4821STAM	46000 [13.5]	32400 [9.5]	13600 [4.0]	15	12.5	1400 [660.7]	44500 [13.0]	3.66	28600 [8.4]	2.54	8.5	7512127
		RCF4824STAM	46000 [13.5]	32400 [9.5]	13600 [4.0]	15	12.5	1400 [660.7]	44500 [13.0]	3.66	28600 [8.4]	2.54	8.5	7512145
RP1548AJ1	RGPT-077BRQ?	RCF4821STAM	46000 [13.5]	32400 [9.5]	13600 [4.0]	15	12.5	1400 [660.7]	44500 [13.0]	3.66	28800 [8.4]	2.54	8.5	7512163
		RCF4824STAM	46000 [13.5]	32400 [9.5]	13600 [4.0]	15	12.5	1400 [660.7]	44500 [13.0]	3.66	28800 [8.4]	2.54	8.5	7512181
RP1548AJ1	RGPT-107BRM?	RCF4821STAM	46000 [13.5]	32400 [9.5]	13600 [4.0]	15	12.5	1400 [660.7]	44500 [13.0]	3.66	28600 [8.4]	2.54	8.5	7512164
		RCF4824STAM	46000 [13.5]	32400 [9.5]	13600 [4.0]	15	12.5	1400 [660.7]	44500 [13.0]	3.66	28600 [8.4]	2.54	8.5	7512182
RP1560AC1	RGPT-077BRQ?	RCF6024STAM	57000 [16.7]	40600 [11.9]	16400 [4.8]	14	11.5	1700 [802.3]	56500 [16.6]	3.76	35600 [10.4]	2.6	8.5	7512217
RP1560AC1	RGPT-107BRM?	RCF6024STAM	57000 [16.7]	40400 [11.8]	16600 [4.9]	14	11.5	1675 [790.5]	56000 [16.4]	3.7	35600 [10.4]	2.6	8.5	7512218
RP1560AC1	RGPT-127ARM?	RCF6024STAM	56500 [16.6]	39500 [11.6]	17000 [5.0]	14	11.5	1625 [766.9]	56000 [16.4]	3.7	35400 [10.4]	2.54	8.5	7512219
RP1560AJ1	RGPT-077BRQ?	RCF6024STAM	57000 [16.7]	40600 [11.9]	16400 [4.8]	14	11.5	1700 [802.3]	56500 [16.6]	3.76	35600 [10.4]	2.6	8.5	7512250
RP1560AJ1	RGPT-107BRM?	RCF6024STAM	57000 [16.7]	40400 [11.8]	16600 [4.9]	14	11.5	1675 [790.5]	56000 [16.4]	3.7	35600 [10.4]	2.6	8.5	7512251
RP1560AJ1	RGPT-127ARM?	RCF6024STAM	56500 [16.6]	39500 [11.6]	17000 [5.0]	14	11.5	1625 [766.9]	56000 [16.4]	3.7	35400 [10.4]	2.54	8.5	7512252

[] Designates Metric Conversions





Air

Performance Data @ AHRI Standard Conditions – Heat Pump (con't.)

RGPE: Two-Stage, Variable Speed 80% (upflow/horizontal) furnace with Comfort Control System Ratings														
Outdoor Unit	Furnace	Indoor Coil	Total Capacity BTU/H [kW]	Net Sensible BTU/H [kW]	Net Latent BTU/H [kW]	SEER	EER	Indoor CFM [L/s]	47 Degree Heating Capacity BTU/H [kW]	47 Degree COP	17 Degree Heating Capacity BTU/H [kW]	47 Degree COP	Region IV HSPF	AHRI#
RP1518AJ1	RGPE-05?BMK?	RCF2417STAM	18800 [5.5]	13600 [4.0]	5200 [1.5]	14.5	12	575 [271.4]	17100 [5.0]	3.6	10200 [3.0]	2.34	8.2	7508974
RP1518AJ1	RGPE-07?AMK?	RCF2417STAM	19000 [5.6]	13900 [4.1]	5100 [1.5]	15	12.5	625 [295.0]	17000 [5.0]	3.6	10300 [3.0]	2.4	8.5	7508976
RP1524AJ1	RGPE-05?BMK?	RCF2417STAM	25600 [7.5]	19100 [5.6]	6500 [1.9]	14.5	12	900 [424.8]	22400 [6.6]	3.5	13900 [4.1]	2.34	8.5	7509006
RP1524AJ1	RGPE-07?AMK?	RCF2417STAM	25600 [7.5]	19100 [5.6]	6500 [1.9]	14.5	12	900 [424.8]	22400 [6.6]	3.54	13900 [4.1]	2.34	8.5	7509008
RP1530AJ1	RGPE-07?AMK?	RCF3617STAM	29600 [8.7]	21900 [6.4]	7700 [2.3]	14.5	12	1000 [471.9]	28200 [8.3]	3.46	16700 [4.9]	2.16	8.2	7509038
RP1530AJ1	RGPE-07?BRQ?	RCF3621STAM	29600 [8.7]	21900 [6.4]	7700 [2.3]	14.5	12	1000 [471.9]	28200 [8.3]	3.46	16600 [4.9]	2.16	8.2	7509077
RP1530AJ1	RGPE-07?BRQ?	RCF3621STAM	30000 [8.8]	22500 [6.6]	7500 [2.2]	15	12.5	1050 [495.5]	28200 [8.3]	3.54	16600 [4.9]	2.2	8.2	7509078
RP1530AJ1	RGPE-10?BRM?	RCF3621STAM	30000 [8.8]	22500 [6.6]	7500 [2.2]	15	12.5	1075 [507.3]	28200 [8.3]	3.54	16600 [4.9]	2.2	8.5	7509080
RP1536AC1	RGPE-05?BMK?	RCF3617STAM	35000 [10.3]	25800 [7.6]	9200 [2.7]	14	11.5	1200 [566.3]	34400 [10.1]	3.54	22800 [6.7]	2.54	8.5	7512032
RP1536AC1	RGPE-07?AMK?	RCF3621STAM	35000 [10.3]	25800 [7.6]	9200 [2.7]	14	11.5	1200 [566.3]	34400 [10.1]	3.54	22800 [6.7]	2.6	8.5	7512052
RP1536AC1	RGPE-07?AMK?	RCF3617STAM	35200 [10.3]	26200 [7.7]	9000 [2.6]	14	11.5	1225 [578.1]	34400 [10.1]	3.54	22800 [6.7]	2.54	8.5	7512033
RP1536AC1	RGPE-07?BRQ?	RCF3621STAM	35200 [10.3]	26200 [7.7]	9000 [2.6]	14	11.5	1225 [578.1]	34200 [10.0]	3.6	22800 [6.7]	2.6	8.5	7512053
RP1536AC1	RGPE-07?BRQ?	RCF3621STAM	35600 [10.4]	26600 [7.8]	9000 [2.6]	15	12.5	1225 [578.1]	33800 [9.9]	3.66	22400 [6.6]	2.66	8.5	7512054
RP1536AC1	RGPE-10?BRM?	RCF3621STAM	35600 [10.4]	26600 [7.8]	9000 [2.6]	15	12.5	1225 [578.1]	33800 [9.9]	3.66	22400 [6.6]	2.66	8.5	7512055
RP1536AJ1	RGPE-05?BMK?	RCF3617STAM	35000 [10.3]	25800 [7.6]	9200 [2.7]	14	11.5	1200 [566.3]	34400 [10.1]	3.54	22800 [6.7]	2.54	8.5	7512078
RP1536AJ1	RGPE-07?AMK?	RCF3621STAM	35000 [10.3]	25800 [7.6]	9200 [2.7]	14	11.5	1200 [566.3]	34400 [10.1]	3.54	22800 [6.7]	2.6	8.5	7512098
RP1536AJ1	RGPE-07?AMK?	RCF3617STAM	35200 [10.3]	26200 [7.7]	9000 [2.6]	14	11.5	1225 [578.1]	34400 [10.1]	3.54	22800 [6.7]	2.54	8.5	7512079
RP1536AJ1	RGPE-07?AMK?	RCF3621STAM	35200 [10.3]	26200 [7.7]	9000 [2.6]	14	11.5	1225 [578.1]	34200 [10.0]	3.6	22800 [6.7]	2.6	8.5	7512099
RP1536AJ1	RGPE-07?BRQ?	RCF3621STAM	35600 [10.4]	26600 [7.8]	9000 [2.6]	15	12.5	1225 [578.1]	33800 [9.9]	3.66	22400 [6.6]	2.66	8.5	7512100
RP1536AJ1	RGPE-10?BRM?	RCF3621STAM	35600 [10.4]	26600 [7.8]	9000 [2.6]	15	12.5	1225 [578.1]	33800 [9.9]	3.66	22400 [6.6]	2.66	8.5	7512101
RP1542AC1	RGPE-07?AMK?	RCF4821STAM	41500 [12.2]	28800 [8.4]	12700 [3.7]	14	11.5	1225 [578.1]	39500 [11.6]	3.6	25400 [7.4]	2.5	8.5	7512268
RP1542AC1	RGPE-07?BRQ?	RCF4821STAM	41500 [12.2]	28800 [8.4]	12700 [3.7]	14.5	12	1225 [578.1]	39000 [11.4]	3.7	25000 [7.3]	2.54	8.5	7512269
RP1542AC1	RGPE-07?BRQ?	RCF4824STAM	41500 [12.2]	28800 [8.4]	12700 [3.7]	14.5	12	1225 [578.1]	39000 [11.4]	3.7	25000 [7.3]	2.54	8.5	7512291
RP1542AC1	RGPE-10?BRM?	RCF4821STAM	41500 [12.2]	28800 [8.4]	12700 [3.7]	14.5	12	1225 [578.1]	39000 [11.4]	3.7	25000 [7.3]	2.54	8.5	7512270
RP1542AC1	RGPE-10?BRM?	RCF4824STAM	41500 [12.2]	28800 [8.4]	12700 [3.7]	14.5	12	1225 [578.1]	39000 [11.4]	3.7	25000 [7.3]	2.54	8.5	7512292
RP1542AC1	RGPE-12?ARM?	RCF4824STAM	42500 [12.5]	30900 [9.1]	11600 [3.4]	14.5	12	1425 [672.5]	40000 [11.7]	3.76	25800 [7.6]	2.6	8.5	7512293
RP1542AJ1	RGPE-07?AMK?	RCF4821STAM	41500 [12.2]	28800 [8.4]	12700 [3.7]	14	11.5	1225 [578.1]	39500 [11.6]	3.6	25400 [7.4]	2.5	8.5	7512316
RP1542AJ1	RGPE-07?BRQ?	RCF4821STAM	41500 [12.2]	28800 [8.4]	12700 [3.7]	14.5	12	1225 [578.1]	39000 [11.4]	3.7	25000 [7.3]	2.54	8.5	7512317
RP1542AJ1	RGPE-07?BRQ?	RCF4824STAM	41500 [12.2]	28800 [8.4]	12700 [3.7]	14.5	12	1225 [578.1]	39000 [11.4]	3.7	25000 [7.3]	2.54	8.5	7512339
RP1542AJ1	RGPE-10?BRM?	RCF4821STAM	41500 [12.2]	28800 [8.4]	12700 [3.7]	14.5	12	1225 [578.1]	39000 [11.4]	3.7	25000 [7.3]	2.54	8.5	7512318
RP1542AJ1	RGPE-10?BRM?	RCF4824STAM	41500 [12.2]	28800 [8.4]	12700 [3.7]	14.5	12	1225 [578.1]	39000 [11.4]	3.7	25000 [7.3]	2.54	8.5	7512340
RP1542AJ1	RGPE-12?ARM?	RCF4824STAM	42500 [12.5]	30900 [9.1]	11600 [3.4]	14.5	12	1425 [672.5]	40000 [11.7]	3.76	25800 [7.6]	2.6	8.5	7512341
RP1548AC1	RGPE-07?BRQ?	RCF4821STAM	46000 [13.5]	32400 [9.5]	13600 [4.0]	14.5	12	1400 [660.7]	44000 [12.9]	3.6	28400 [8.3]	2.5	8.5	7512124
RP1548AC1	RGPE-07?BRQ?	RCF4824STAM	46000 [13.5]	32400 [9.5]	13600 [4.0]	14.5	12	1400 [660.7]	44000 [12.9]	3.6	28400 [8.3]	2.5	8.5	7512141

[] Designates Metric Conversions



Performance Data @ AHRI Standard Conditions – Heat Pump (con't.)

RGPE: Two-Stage, Variable Speed 80% (upflow/horizontal) furnace with Comfort Control System Ratings														
Outdoor Unit	Furnace	Indoor Coil	Total Capacity BTU/H [kW]	Net Sensible BTU/H [kW]	Net Latent BTU/H [kW]	SEER	EER	Indoor CFM [L/s]	47 Degree Heating Capacity BTU/H [kW]	47 Degree COP	17 Degree Heating Capacity BTU/H [kW]	47 Degree COP	Region IV HSPF	AHRI#
RP1548AC1	RGPE-10?BRM?	RCF4821STAM	46500 [13.6]	33900 [9.9]	12600 [3.7]	14.5	12	1550 [731.5]	45000 [13.2]	3.6	29200 [8.6]	2.54	8.5	7512125
		RCF4824STAM	46500 [13.6]	33900 [9.9]	12600 [3.7]	14.5	12	1550 [731.5]	45000 [13.2]	3.6	29200 [8.6]	2.54	8.5	7512142
RP1548AC1	RGPE-12?ARM?	RCF4824STAM	46000 [13.5]	32600 [9.6]	13400 [3.9]	15	12.5	1425 [672.5]	44000 [12.9]	3.66	28600 [8.4]	2.54	8.5	7512143
		RCF4821STAM	46000 [13.5]	32400 [9.5]	13600 [4.0]	14.5	12	1400 [660.7]	44000 [12.9]	3.6	28400 [8.3]	2.5	8.5	7512161
		RCF4824STAM	46000 [13.5]	32400 [9.5]	13600 [4.0]	14.5	12	1400 [660.7]	44000 [12.9]	3.6	28400 [8.3]	2.5	8.5	7512178
RP1548AJ1	RGPE-10?BRM?	RCF4821STAM	46500 [13.6]	33900 [9.9]	12600 [3.7]	14.5	12	1550 [731.5]	45000 [13.2]	3.6	29200 [8.6]	2.54	8.5	7512162
		RCF4824STAM	46500 [13.6]	33900 [9.9]	12600 [3.7]	14.5	12	1550 [731.5]	45000 [13.2]	3.6	29200 [8.6]	2.54	8.5	7512179
RP1548AJ1	RGPE-12?ARM?	RCF4824STAM	46000 [13.5]	32600 [9.6]	13400 [3.9]	15	12.5	1425 [672.5]	44000 [12.9]	3.66	28600 [8.4]	2.54	8.5	7512180
		RCF6024HTAM	57000 [16.7]	40000 [11.7]	17000 [5.0]	14.5	12	1625 [766.9]	55000 [16.1]	3.7	35000 [10.3]	2.54	8.5	7512202
RP1560AC1	RGPE-10?BRM?	RCF6024STAM	57000 [16.7]	40000 [11.7]	17000 [5.0]	14.5	12	1625 [766.9]	55000 [16.1]	3.7	35000 [10.3]	2.54	8.5	7512215
		RCF6024HTAM	57000 [16.7]	40000 [11.7]	17000 [5.0]	14.5	12	1625 [766.9]	55000 [16.1]	3.7	35000 [10.3]	2.6	8.5	7512203
		RCF6024STAM	57000 [16.7]	40000 [11.7]	17000 [5.0]	14.5	12	1625 [766.9]	55000 [16.1]	3.7	35000 [10.3]	2.6	8.5	7512216
RP1560AJ1	RGPE-10?BRM?	RCF6024HTAM	57000 [16.7]	40000 [11.7]	17000 [5.0]	14.5	12	1625 [766.9]	55000 [16.1]	3.7	35000 [10.3]	2.54	8.5	7512235
		RCF6024STAM	57000 [16.7]	40000 [11.7]	17000 [5.0]	14.5	12	1625 [766.9]	55000 [16.1]	3.7	35000 [10.3]	2.54	8.5	7512248
		RCF6024HTAM	57000 [16.7]	40000 [11.7]	17000 [5.0]	14.5	12	1625 [766.9]	55000 [16.1]	3.7	35000 [10.3]	2.6	8.5	7512236
RP1560AJ1	RGPE-12?ARM?	RCF6024STAM	57000 [16.7]	40000 [11.7]	17000 [5.0]	14.5	12	1625 [766.9]	55000 [16.1]	3.7	35000 [10.3]	2.6	8.5	7512249

[] Designates Metric Conversions

Performance Data @ AHRI Standard Conditions – Heat Pump (con't.)

R95T: 95% AFUE single-stage Constant Torque Multiphase Gas Furnace Ratings														
Outdoor Unit	Furnace	Indoor Coil	Total Capacity BTU/H [kW]	Net Sensible BTU/H [kW]	Net Latent BTU/H [kW]	SEER	EER	Indoor CFM [L/s]	47 Degree Heating Capacity BTU/H [kW]	47 Degree COP	17 Degree Heating Capacity BTU/H [kW]	47 Degree COP	Region IV HSPF	AHRI#
RP1518AJ1	R95TA0401317MSA	RCF2417STAM	19000 [5.6]	14000 [4.1]	5000 [1.5]	14.5	12	650 [306.8]	17200 [5.0]	3.54	10400 [3.0]	2.4	8.2	7508965
RP1524AJ1	R95TA0401317MSA	RCF2417STAM	25400 [7.4]	18700 [5.5]	6700 [2.0]	14.5	12	850 [401.2]	22400 [6.6]	3.54	13800 [4.0]	2.34	8.5	7508994
RP1524AJ1	R95TA0601317MSA	RCF2417STAM	25400 [7.4]	18800 [5.5]	6600 [1.9]	14	11.5	875 [413.0]	22400 [6.6]	3.5	14000 [4.1]	2.3	8.5	7508996
RP1524AJ1	R95TA0701317MSA	RCF2417STAM	25000 [7.3]	18200 [5.3]	6800 [2.0]	14	11.5	825 [389.4]	22400 [6.6]	3.5	13900 [4.1]	2.34	8.5	7508997
RP1530AJ1	R95TA0401317MSA	RCF3617STAM	29800 [8.7]	22300 [6.5]	7500 [2.2]	14.5	12	1050 [495.5]	28600 [8.4]	3.46	16900 [5.0]	2.16	8.2	7509030
RP1530AJ1	R95TA0601317MSA	RCF3621STAM	29800 [8.7]	22300 [6.5]	7500 [2.2]	14.5	12	1075 [507.3]	28600 [8.4]	3.46	16900 [5.0]	2.16	8.2	7509059
RP1530AJ1	R95TA0701317MSA	RCF3617STAM	29400 [8.6]	21700 [6.4]	7700 [2.3]	14	11.5	1000 [471.9]	28600 [8.4]	3.46	17000 [5.0]	2.16	8.2	7509032
RP1530AJ1	R95TA0601317MSA	RCF3621STAM	29800 [8.7]	22100 [6.5]	7700 [2.3]	14.5	12	1025 [483.7]	28600 [8.4]	3.46	17000 [5.0]	2.16	8.2	7509061
RP1530AJ1	R95TA0701317MSA	RCF3617STAM	29600 [8.7]	21900 [6.4]	7700 [2.3]	14	11.5	1025 [483.7]	28800 [8.4]	3.4	17100 [5.0]	2.16	8.2	7509034
RP1530AJ1	R95TA0601317MSA	RCF3621STAM	29600 [8.7]	21900 [6.4]	7700 [2.3]	14	11.5	1025 [483.7]	28800 [8.4]	3.4	17000 [5.0]	2.16	8.2	7509063
RP1536AC1	R95TA0401317MSA	RCF3617STAM	35000 [10.3]	25500 [7.5]	9500 [2.8]	14.5	12	1125 [530.9]	34000 [10.0]	3.54	22200 [6.5]	2.54	8.5	7512029
RP1536AC1	R95TA0601317MSA	RCF3621STAM	35200 [10.3]	25800 [7.6]	9400 [2.8]	14.5	12	1150 [542.7]	34200 [10.0]	3.6	22400 [6.6]	2.6	8.5	7512044
RP1536AC1	R95TA0701317MSA	RCF3617STAM	34600 [10.1]	24900 [7.3]	9700 [2.8]	14	11.5	1075 [507.3]	33800 [9.9]	3.46	22200 [6.5]	2.5	8.5	7512030
RP1536AJ1	R95TA0401317MSA	RCF3621STAM	34800 [10.2]	25200 [7.4]	9600 [2.8]	14	11.5	1100 [519.1]	34000 [10.0]	3.54	22400 [6.6]	2.5	8.5	7512045
RP1536AJ1	R95TA0601317MSA	RCF3617STAM	35000 [10.3]	25500 [7.5]	9500 [2.8]	14.5	12	1125 [530.9]	34000 [10.0]	3.54	22200 [6.5]	2.54	8.5	7512075
RP1536AJ1	R95TA0701317MSA	RCF3621STAM	35200 [10.3]	25800 [7.6]	9400 [2.8]	14.5	12	1150 [542.7]	34200 [10.0]	3.6	22400 [6.6]	2.6	8.5	7512090
RP1536AJ1	R95TA0401317MSA	RCF3617STAM	34600 [10.1]	24900 [7.3]	9700 [2.8]	14	11.5	1075 [507.3]	33800 [9.9]	3.46	22200 [6.5]	2.5	8.5	7512076
RP1542AC1	R95TA0851521MSA	RCF4821STAM	42000 [12.3]	29800 [8.7]	12200 [3.6]	14	11.5	1325 [625.3]	40500 [11.9]	3.7	26000 [7.6]	2.54	8.5	7512262
RP1542AC1	R95TA1001521MSA	RCF4824STAM	42000 [12.3]	29800 [8.7]	12200 [3.6]	14	11.5	1325 [625.3]	40500 [11.9]	3.7	26000 [7.6]	2.54	8.5	7512282
RP1542AC1	R95TA1151524MSA	RCF4821STAM	42000 [12.3]	30200 [8.9]	11800 [3.5]	14	11.5	1400 [660.7]	40500 [11.9]	3.66	26000 [7.6]	2.54	8.5	7512263
RP1542AC1	R95TA1151524MSA	RCF4824STAM	42000 [12.3]	30200 [8.9]	11800 [3.5]	14	11.5	1400 [660.7]	40500 [11.9]	3.66	26000 [7.6]	2.54	8.5	7512283
RP1542AJ1	R95TA0851521MSA	RCF4821STAM	41500 [12.2]	29000 [8.5]	12500 [3.7]	14	11.5	1275 [601.7]	40500 [11.9]	3.7	25800 [7.6]	2.6	8.5	7512284
RP1542AJ1	R95TA1001521MSA	RCF4824STAM	42000 [12.3]	29800 [8.7]	12200 [3.6]	14	11.5	1325 [625.3]	40500 [11.9]	3.7	26000 [7.6]	2.54	8.5	7512310
RP1542AJ1	R95TA1151524MSA	RCF4821STAM	42000 [12.3]	30200 [8.9]	11800 [3.5]	14	11.5	1400 [660.7]	40500 [11.9]	3.66	26000 [7.6]	2.54	8.5	7512330
RP1542AJ1	R95TA1151524MSA	RCF4824STAM	42000 [12.3]	30200 [8.9]	11800 [3.5]	14	11.5	1400 [660.7]	40500 [11.9]	3.66	26000 [7.6]	2.54	8.5	7512311
RP1548AJ1	R95TA1151524MSA	RCF4821STAM	41500 [12.2]	29000 [8.5]	12500 [3.7]	14	11.5	1275 [601.7]	40500 [11.9]	3.7	25800 [7.6]	2.6	8.5	7512332
RP1548AC1	R95TA0851521MSA	RCF4821STAM	45500 [13.3]	31900 [9.3]	13600 [4.0]	14.5	12	1400 [660.7]	45000 [13.2]	3.6	29000 [8.5]	2.5	8.5	7512121
RP1548AC1	R95TA1001521MSA	RCF4824STAM	45500 [13.3]	31900 [9.3]	13600 [4.0]	14.5	12	1400 [660.7]	45000 [13.2]	3.6	29000 [8.5]	2.5	8.5	7512135
RP1548AC1	R95TA1151524MSA	RCF4821STAM	45500 [13.3]	31800 [9.3]	13700 [4.0]	14.5	12	1375 [648.9]	45000 [13.2]	3.6	28800 [8.4]	2.5	8.5	7512122
RP1548AC1	R95TA1151524MSA	RCF4824STAM	45500 [13.3]	31800 [9.3]	13700 [4.0]	14.5	12	1375 [648.9]	45000 [13.2]	3.6	28800 [8.4]	2.5	8.5	7512136
RP1548AJ1	R95TA0851521MSA	RCF4821STAM	46000 [13.5]	32400 [9.5]	13600 [4.0]	14.5	12	1400 [660.7]	45000 [13.2]	3.6	29000 [8.5]	2.5	8.5	7512137
RP1548AJ1	R95TA1001521MSA	RCF4824STAM	45500 [13.3]	31900 [9.3]	13600 [4.0]	14.5	12	1400 [660.7]	45000 [13.2]	3.6	29000 [8.5]	2.5	8.5	7512158
RP1548AJ1	R95TA1151524MSA	RCF4821STAM	45500 [13.3]	31900 [9.3]	13600 [4.0]	14.5	12	1400 [660.7]	45000 [13.2]	3.6	29000 [8.5]	2.5	8.5	7512172

[] Designates Metric Conversions



Performance Data @ AHRI Standard Conditions – Heat Pump (con't.)

R95T: 95% AFUE single-stage Constant Torque Multiphase Gas Furnace Ratings														
Outdoor Unit	Furnace	Indoor Coil	Total Capacity BTU/H [kW]	Net Sensible BTU/H [kW]	Net Latent BTU/H [kW]	SEER	EER	Indoor CFM [L/s]	47 Degree Heating Capacity BTU/H [kW]	47 Degree COP	17 Degree Heating Capacity BTU/H [kW]	47 Degree COP	Region IV HSPF	AHRI#
RP1548A11	R95TA1001521MSA	RCF4821STAM	45500 [13.3]	31800 [9.3]	13700 [4.0]	14.5	12	1375 [648.9]	45000 [13.2]	3.6	28800 [8.4]	2.5	8.5	7512159
RP1548A11	R95TA1151524MSA	RCF4824STAM	45500 [13.3]	31800 [9.3]	13700 [4.0]	14.5	12	1375 [648.9]	45000 [13.2]	3.6	28800 [8.4]	2.5	8.5	7512173
RP1560AC1	R95TA0851521MSA	RCF6024HTAM	56500 [16.6]	39700 [11.6]	16800 [4.9]	14	11.5	1650 [778.7]	56500 [16.6]	3.66	35600 [10.4]	2.54	8.5	7512196
RP1560AC1	R95TA1001521MSA	RCF6024HTAM	56500 [16.6]	39700 [11.6]	16800 [4.9]	14	11.5	1650 [778.7]	56500 [16.6]	3.66	35600 [10.4]	2.54	8.5	7512210
RP1560AC1	R95TA1151524MSA	RCF6024HTAM	57000 [16.7]	40800 [12.0]	16200 [4.7]	14	11.5	1725 [814.1]	57000 [16.7]	3.66	36200 [10.6]	2.54	8.5	7512197
RP1560AC1	R95TA1151524MSA	RCF6024STAM	56500 [16.6]	39300 [11.5]	17200 [5.0]	14	11.5	1600 [755.1]	55500 [16.3]	3.66	35200 [10.3]	2.5	8.5	7512211
RP1560A11	R95TA0851521MSA	RCF6024HTAM	56500 [16.6]	39700 [11.6]	16800 [4.9]	14	11.5	1650 [778.7]	56500 [16.6]	3.66	35600 [10.4]	2.54	8.5	7512229
RP1560A11	R95TA1001521MSA	RCF6024HTAM	57000 [16.7]	40800 [12.0]	16200 [4.7]	14	11.5	1725 [814.1]	57000 [16.7]	3.66	36200 [10.6]	2.54	8.5	7512243
RP1560A11	R95TA1151524MSA	RCF6024STAM	56500 [16.6]	39300 [11.5]	17200 [5.0]	14	11.5	1600 [755.1]	55500 [16.3]	3.66	35200 [10.3]	2.5	8.5	7512230
RP1560A11	R95TA1151524MSA	RCF6024HTAM	56500 [16.6]	39300 [11.5]	17200 [5.0]	14	11.5	1600 [755.1]	55500 [16.3]	3.66	35200 [10.3]	2.5	8.5	7512244
RP1560A11	R95TA1151524MSA	RCF6024STAM	56500 [16.6]	39300 [11.5]	17200 [5.0]	14	11.5	1600 [755.1]	55500 [16.3]	3.66	35200 [10.3]	2.5	8.5	7512231
RP1560A11	R95TA1151524MSA	RCF6024STAM	56500 [16.6]	39300 [11.5]	17200 [5.0]	14	11.5	1600 [755.1]	55500 [16.3]	3.66	35200 [10.3]	2.5	8.5	7512245

[J] Designates Metric Conversions

Performance Data @ AHRI Standard Conditions – Heat Pump (con't.)

RGFG-95 Plus Communicating Modulating Uplflow Gas Furnace equipped with Comfort Control, ECM Ratings														
Outdoor Unit	Furnace	Indoor Coil	Total Capacity BTU/H [kW]	Net Sensible BTU/H [kW]	Net Latent BTU/H [kW]	SEER	EER	Indoor CFM [L/s]	47 Degree Heating Capacity BTU/H [kW]	47 Degree COP	17 Degree Heating Capacity BTU/H [kW]	47 Degree COP	Region IV HSPF	AHR#
RP1518AJ1	RGFG-067MCK?	RCF2417STAM	18700 [5.5]	13500 [4.0]	5200 [1.5]	14.5	12	575 [271.4]	17100 [5.0]	3.6	10200 [3.0]	2.34	8.2	7508967
RP1518AJ1	RGFG-077MCK?	RCF2417STAM	19000 [5.6]	14000 [4.1]	5000 [1.5]	14.5	12	650 [306.8]	17100 [5.0]	3.54	10400 [3.0]	2.4	8.2	7508969
RP1524AJ1	RGFG-067MCK?	RCF2417STAM	25200 [7.4]	18400 [5.4]	6800 [2.0]	14.5	12	800 [377.6]	22200 [6.5]	3.54	13700 [4.0]	2.34	8.5	7508999
RP1524AJ1	RGFG-077MCK?	RCF2417STAM	25200 [7.4]	18500 [5.4]	6700 [2.0]	14.5	12	850 [401.2]	22400 [6.6]	3.54	13800 [4.0]	2.34	8.5	7509001
RP1530AJ1	RGFG-067MCK?	RCF3621STAM	29600 [8.7]	21900 [6.4]	7700 [2.3]	14.5	12	1000 [471.9]	28400 [8.3]	3.4	16800 [4.9]	2.16	8.2	7509065
RP1530AJ1	RGFG-097ZCM?	RCF3621STAM	29600 [8.7]	21800 [6.4]	7800 [2.3]	15	12.5	975 [460.1]	28000 [8.2]	3.46	16400 [4.8]	2.16	8.2	7509066
RP1530AJ1	RGFG-107ZCM?	RCF3621STAM	29800 [8.7]	22100 [6.5]	7700 [2.3]	15	12.5	1000 [471.9]	28200 [8.3]	3.5	16600 [4.9]	2.16	8.2	7509068
RP1536AC1	RGFG-097ZCM?	RCF3621STAM	35200 [10.3]	26000 [7.6]	9200 [2.7]	14.5	12	1200 [566.3]	34000 [10.0]	3.6	22600 [6.6]	2.6	8.5	7512046
RP1536AC1	RGFG-107ZCM?	RCF3621STAM	35400 [10.4]	26600 [7.8]	8800 [2.6]	14	11.5	1275 [601.7]	34400 [10.1]	3.54	22800 [6.7]	2.6	8.5	7512047
RP1536AJ1	RGFG-097ZCM?	RCF3621STAM	35200 [10.3]	26000 [7.6]	9200 [2.7]	14.5	12	1200 [566.3]	34000 [10.0]	3.6	22600 [6.6]	2.6	8.5	7512092
RP1536AJ1	RGFG-107ZCM?	RCF3621STAM	35400 [10.4]	26600 [7.8]	8800 [2.6]	14	11.5	1275 [601.7]	34400 [10.1]	3.54	22800 [6.7]	2.6	8.5	7512093
RP1542AC1	RGFG-097ZCM?	RCF4821STAM	41500 [12.2]	29000 [8.5]	12500 [3.7]	14	11.5	1275 [601.7]	40000 [11.7]	3.66	25600 [7.5]	2.54	8.5	7512264
RP1542AC1	RGFG-107ZCM?	RCF4821STAM	41500 [12.2]	29000 [8.5]	12500 [3.7]	14	11.5	1275 [601.7]	40000 [11.7]	3.66	25600 [7.5]	2.54	8.5	7512285
RP1542AC1	RGFG-127RCM?	RCF4821STAM	41500 [12.2]	29000 [8.5]	12500 [3.7]	14	11.5	1275 [601.7]	40000 [11.7]	3.66	25600 [7.5]	2.54	8.5	7512265
RP1542AC1	RGFG-127RCM?	RCF4824STAM	41500 [12.2]	28900 [8.5]	12600 [3.7]	14.5	12	1250 [589.9]	39500 [11.6]	3.66	25400 [7.4]	2.54	8.5	7512287
RP1542AJ1	RGFG-097ZCM?	RCF4821STAM	41500 [12.2]	29000 [8.5]	12500 [3.7]	14	11.5	1275 [601.7]	40000 [11.7]	3.66	25600 [7.5]	2.54	8.5	7512312
RP1542AJ1	RGFG-107ZCM?	RCF4824STAM	41500 [12.2]	29000 [8.5]	12500 [3.7]	14	11.5	1275 [601.7]	40000 [11.7]	3.66	25600 [7.5]	2.54	8.5	7512333
RP1542AJ1	RGFG-127RCM?	RCF4821STAM	41500 [12.2]	29000 [8.5]	12500 [3.7]	14	11.5	1275 [601.7]	40000 [11.7]	3.66	25600 [7.5]	2.54	8.5	7512313
RP1542AJ1	RGFG-127RCM?	RCF4824STAM	41500 [12.2]	29000 [8.5]	12500 [3.7]	14	11.5	1275 [601.7]	40000 [11.7]	3.66	25600 [7.5]	2.54	8.5	7512334
RP1548AC1	RGFG-127RCM?	RCF4824STAM	46000 [13.5]	32700 [9.6]	13300 [3.9]	14.5	12	1450 [684.3]	44500 [13.0]	3.6	29000 [8.5]	2.54	8.5	7512138
RP1548AJ1	RGFG-127RCM?	RCF4824STAM	46000 [13.5]	32700 [9.6]	13300 [3.9]	14.5	12	1450 [684.3]	44500 [13.0]	3.6	29000 [8.5]	2.54	8.5	7512175
RP1560AC1	RGFG-127RCM?	RCF6024HTAM	56500 [16.6]	39500 [11.6]	17000 [5.0]	14	11.5	1625 [766.9]	55500 [16.3]	3.66	35400 [10.4]	2.54	8.5	7512199
RP1560AJ1	RGFG-127RCM?	RCF6024HTAM	56500 [16.6]	39500 [11.6]	17000 [5.0]	14	11.5	1625 [766.9]	55500 [16.3]	3.66	35400 [10.4]	2.54	8.5	7512213
RP1560AJ1	RGFG-127RCM?	RCF6024HTAM	56500 [16.6]	39500 [11.6]	17000 [5.0]	14	11.5	1625 [766.9]	55500 [16.3]	3.66	35400 [10.4]	2.54	8.5	7512232
RP1560AJ1	RGFG-127RCM?	RCF6024HTAM	56500 [16.6]	39500 [11.6]	17000 [5.0]	14	11.5	1625 [766.9]	55500 [16.3]	3.66	35400 [10.4]	2.54	8.5	7512246

RGGE-90 Plus Communicating Modulating Downflow Gas Furnace equipped with Comfort Control, ECM Ratings

Outdoor Unit	Furnace	Indoor Coil	Total Capacity BTU/H [kW]	Net Sensible BTU/H [kW]	Net Latent BTU/H [kW]	SEER	EER	Indoor CFM [L/s]	47 Degree Heating Capacity BTU/H [kW]	47 Degree COP	17 Degree Heating Capacity BTU/H [kW]	47 Degree COP	Region IV HSPF	AHR#
RP1560AC1	RGGE-127RCM?	RCF6024HTAM	57000 [16.7]	41000 [12.0]	16000 [4.7]	14	11.5	1750 [825.9]	56500 [16.6]	3.7	36200 [10.6]	2.6	8.5	7512200
RP1560AJ1	RGGE-127RCM?	RCF6024HTAM	57000 [16.7]	41000 [12.0]	16000 [4.7]	14	11.5	1750 [825.9]	56500 [16.6]	3.7	36200 [10.6]	2.6	8.5	7512233

[] Designates Metric Conversions



Air

Performance Data
RP15 Series

Performance Data @ AHRI Standard Conditions – Heat Pump (con't.)

RGJF-90 Plus Communicating Modulating Horizontal Gas Furnace equipped with Comfort Control, ECM Ratings														
Outdoor Unit	Furnace	Indoor Coil	Total Capacity BTU/H [kW]	Net Sensible BTU/H [kW]	Net Latent BTU/H [kW]	SEER	EER	Indoor CFM [L/s]	47 Degree Heating Capacity [kW]	47 Degree COP	17 Degree Heating Capacity [kW]	47 Degree COP	Region IV HSPF	AHRI#
RP1518AJ1	RGJF-067MCK?	RCF2417STAM	18900 [5.5]	13800 [4.0]	5100 [1.5]	15	12.5	625 [295.0]	17100 [5.0]	3.6	10400 [3.0]	2.4	8.5	7508971
RP1518AJ1	RGJF-072MCK?	RCF2417STAM	18800 [5.5]	13600 [4.0]	5200 [1.5]	15	12.5	575 [271.4]	17000 [5.0]	3.6	10200 [3.0]	2.34	8.2	7508972
RP1524AJ1	RGJF-067MCK?	RCF2417STAM	25200 [7.4]	18400 [5.4]	6800 [2.0]	14.5	12	825 [389.4]	22200 [6.5]	3.6	13800 [4.0]	2.34	8.5	7509003
RP1524AJ1	RGJF-072MCK?	RCF2417STAM	25200 [7.4]	18400 [5.4]	6800 [2.0]	14.5	12	800 [377.6]	22200 [6.5]	3.6	13600 [4.0]	2.34	8.5	7509004
RP1530AJ1	RGJF-067MCK?	RCF3617STAM	29800 [8.7]	22100 [6.5]	7700 [2.3]	14.5	12	1025 [483.7]	28600 [8.4]	3.46	16900 [5.0]	2.16	8.2	7509035
RP1530AJ1	RGJF-072MCK?	RCF3621STAM	29800 [8.7]	22100 [6.5]	7700 [2.3]	14.5	12	1025 [483.7]	28600 [8.3]	3.5	16800 [4.9]	2.2	8.2	7509069
RP1530AJ1	RGJF-072MCK?	RCF3617STAM	29800 [8.7]	22100 [6.5]	7700 [2.3]	14.5	12	1025 [483.7]	28600 [8.4]	3.46	16900 [5.0]	2.16	8.2	7509037
RP1530AJ1	RGJF-097ZCM?	RCF3621STAM	29800 [8.7]	22100 [6.5]	7700 [2.3]	14.5	12	1025 [483.7]	28600 [8.4]	3.46	16800 [4.9]	2.16	8.2	7509071
RP1530AJ1	RGJF-107ZCM?	RCF3621STAM	30000 [8.8]	22300 [6.5]	7700 [2.3]	15	12.5	1025 [483.7]	28400 [8.3]	3.5	16700 [4.9]	2.2	8.2	7509073
RP1536AC1	RGJF-067MCK?	RCF3617STAM	35000 [10.3]	25800 [7.6]	9200 [2.7]	14	11.5	1200 [566.3]	34400 [10.1]	3.54	22800 [6.7]	2.54	8.5	7512031
RP1536AC1	RGJF-072MCK?	RCF3621STAM	35000 [10.3]	25800 [7.6]	9200 [2.7]	14	11.5	1200 [566.3]	34200 [10.0]	3.54	22800 [6.7]	2.6	8.5	7512048
RP1536AC1	RGJF-072MCK?	RCF3621STAM	35000 [10.3]	25800 [7.6]	9200 [2.7]	14	11.5	1200 [566.3]	34400 [10.1]	3.54	22800 [6.7]	2.54	8.5	7512049
RP1536AC1	RGJF-097ZCM?	RCF3621STAM	35600 [10.4]	26600 [7.8]	9000 [2.6]	14.5	12	1225 [578.1]	34000 [10.0]	3.66	22400 [6.6]	2.66	8.5	7512050
RP1536AC1	RGJF-107ZCM?	RCF3621STAM	35200 [10.3]	26000 [7.6]	9200 [2.7]	14.5	12	1200 [566.3]	34000 [10.0]	3.6	22600 [6.6]	2.6	8.5	7512051
RP1536AJ1	RGJF-067MCK?	RCF3617STAM	35000 [10.3]	25800 [7.6]	9200 [2.7]	14	11.5	1200 [566.3]	34400 [10.1]	3.54	22800 [6.7]	2.54	8.5	7512077
RP1536AJ1	RGJF-072MCK?	RCF3621STAM	35000 [10.3]	25800 [7.6]	9200 [2.7]	14	11.5	1200 [566.3]	34200 [10.0]	3.54	22800 [6.7]	2.6	8.5	7512094
RP1536AJ1	RGJF-072MCK?	RCF3621STAM	35000 [10.3]	25800 [7.6]	9200 [2.7]	14	11.5	1200 [566.3]	34400 [10.1]	3.54	22800 [6.7]	2.54	8.5	7512095
RP1536AJ1	RGJF-097ZCM?	RCF3621STAM	35600 [10.4]	26600 [7.8]	9000 [2.6]	14.5	12	1225 [578.1]	34000 [10.0]	3.66	22400 [6.6]	2.66	8.5	7512096
RP1536AJ1	RGJF-107ZCM?	RCF3621STAM	35200 [10.3]	26000 [7.6]	9200 [2.7]	14.5	12	1200 [566.3]	34000 [10.0]	3.6	22600 [6.6]	2.6	8.5	7512097
RP1542AC1	RGJF-097ZCM?	RCF4821STAM	41500 [12.2]	28800 [8.4]	12700 [3.7]	14.5	12	1225 [578.1]	39000 [11.4]	3.66	25200 [7.4]	2.54	8.5	7512266
RP1542AC1	RGJF-097ZCM?	RCF4824STAM	41500 [12.2]	28800 [8.4]	12700 [3.7]	14.5	12	1225 [578.1]	39000 [11.4]	3.66	25200 [7.4]	2.54	8.5	7512288
RP1542AC1	RGJF-107ZCM?	RCF4821STAM	41500 [12.2]	29000 [8.5]	12500 [3.7]	14	11.5	1275 [601.7]	40000 [11.7]	3.66	25600 [7.5]	2.54	8.5	7512267
RP1542AC1	RGJF-127RCM?	RCF4824STAM	41500 [12.2]	29000 [8.5]	12500 [3.7]	14	11.5	1275 [601.7]	40000 [11.7]	3.66	25600 [7.5]	2.54	8.5	7512289
RP1542AJ1	RGJF-097ZCM?	RCF4821STAM	42000 [12.3]	30000 [8.8]	12000 [3.5]	14.5	12	1375 [648.9]	40000 [11.7]	3.76	25800 [7.6]	2.6	8.5	7512290
RP1542AJ1	RGJF-097ZCM?	RCF4824STAM	41500 [12.2]	28800 [8.4]	12700 [3.7]	14.5	12	1225 [578.1]	39000 [11.4]	3.66	25200 [7.4]	2.54	8.5	7512314
RP1542AJ1	RGJF-107ZCM?	RCF4824STAM	41500 [12.2]	28800 [8.4]	12700 [3.7]	14.5	12	1225 [578.1]	39000 [11.4]	3.66	25200 [7.4]	2.54	8.5	7512336
RP1542AJ1	RGJF-107ZCM?	RCF4821STAM	41500 [12.2]	29000 [8.5]	12500 [3.7]	14	11.5	1275 [601.7]	40000 [11.7]	3.66	25600 [7.5]	2.54	8.5	7512315
RP1542AJ1	RGJF-107ZCM?	RCF4824STAM	41500 [12.2]	29000 [8.5]	12500 [3.7]	14	11.5	1275 [601.7]	40000 [11.7]	3.66	25600 [7.5]	2.54	8.5	7512337
RP1542AJ1	RGJF-127RCM?	RCF4824STAM	42000 [12.3]	30000 [8.8]	12000 [3.5]	14.5	12	1375 [648.9]	40000 [11.7]	3.76	25800 [7.6]	2.6	8.5	7512338
RP1548AC1	RGJF-097ZCM?	RCF4821STAM	46000 [13.5]	32400 [9.5]	13600 [4.0]	14.5	12	1400 [660.7]	44000 [12.9]	3.54	28800 [8.4]	2.5	8.5	7512123
RP1548AC1	RGJF-097ZCM?	RCF4824STAM	46000 [13.5]	32400 [9.5]	13600 [4.0]	14.5	12	1400 [660.7]	44000 [12.9]	3.54	28800 [8.4]	2.5	8.5	7512139
RP1548AC1	RGJF-127RCM?	RCF4824STAM	46000 [13.5]	32300 [9.5]	13700 [4.0]	14.5	12	1375 [648.9]	43500 [12.7]	3.6	28400 [8.3]	2.5	8.5	7512140

[] Designates Metric Conversions



Performance Data @ AHRI Standard Conditions – Heat Pump (con't.)

RGJF: 90 Plus Communicating Modulating Horizontal Gas Furnace equipped with Comfort Control, ECM Ratings														
Outdoor Unit	Furnace	Indoor Coil	Total Capacity BTU/H [kW]	Net Sensible BTU/H [kW]	Net Latent BTU/H [kW]	SEER	EER	Indoor CFM [L/s]	47 Degree Heating Capacity BTU/H [kW]	47 Degree COP	17 Degree Heating Capacity BTU/H [kW]	47 Degree COP	Region IV HSPF	AHRI#
RP1548AJ1	RGJF-097ZCM?	RCF4821STAM	46000 [13.5]	32400 [9.5]	13600 [4.0]	14.5	12	1400 [660.7]	44000 [12.9]	3.54	28800 [8.4]	2.5	8.5	7512160
RP1548AJ1	RGJF-127RCM?	RCF4824STAM	46000 [13.5]	32400 [9.5]	13600 [4.0]	14.5	12	1400 [660.7]	44000 [12.9]	3.54	28800 [8.4]	2.5	8.5	7512176
RP1560AC1	RGJF-127RCM?	RCF6024HTAM	57000 [16.7]	41000 [12.0]	16000 [4.7]	14	11.5	1750 [825.9]	43500 [12.7]	3.6	28400 [8.3]	2.5	8.5	7512177
RP1560AJ1	RGJF-127RCM?	RCF6024STAM	57000 [16.7]	41000 [12.0]	16000 [4.7]	14	11.5	1750 [825.9]	56500 [16.6]	3.7	36200 [10.6]	2.6	8.5	7512201
RP1560AJ1	RGJF-127RCM?	RCF6024HTAM	57000 [16.7]	41000 [12.0]	16000 [4.7]	14	11.5	1750 [825.9]	56500 [16.6]	3.7	36200 [10.6]	2.6	8.5	7512214
RP1560AJ1	RGJF-127RCM?	RCF6024STAM	57000 [16.7]	41000 [12.0]	16000 [4.7]	14	11.5	1750 [825.9]	56500 [16.6]	3.7	36200 [10.6]	2.6	8.5	7512234
RP1560AJ1	RGJF-127RCM?	RCF6024STAM	57000 [16.7]	41000 [12.0]	16000 [4.7]	14	11.5	1750 [825.9]	56500 [16.6]	3.7	36200 [10.6]	2.6	8.5	7512247

RGRM: 95% AFUE, Two Stage Upflow Gas Furnace, ECM Ratings														
Outdoor Unit	Furnace	Indoor Coil	Total Capacity BTU/H [kW]	Net Sensible BTU/H [kW]	Net Latent BTU/H [kW]	SEER	EER	Indoor CFM [L/s]	47 Degree Heating Capacity BTU/H [kW]	47 Degree COP	17 Degree Heating Capacity BTU/H [kW]	47 Degree COP	Region IV HSPF	AHRI#
RP1542AC1	RGRM-12?RAJ?	RCF4824STAM	41500 [12.2]	28800 [8.4]	12700 [3.7]	14.5	12	1225 [578.1]	39000 [11.4]	3.66	25200 [7.4]	2.54	8.5	7512297
RP1542AJ1	RGRM-12?RAJ?	RCF4824STAM	41500 [12.2]	28800 [8.4]	12700 [3.7]	14.5	12	1225 [578.1]	39000 [11.4]	3.66	25200 [7.4]	2.54	8.5	7512345

RGTM: 95% AFUE, Two Stage, Downflow/Horizontal Gas Furnace, ECM Ratings														
Outdoor Unit	Furnace	Indoor Coil	Total Capacity BTU/H [kW]	Net Sensible BTU/H [kW]	Net Latent BTU/H [kW]	SEER	EER	Indoor CFM [L/s]	47 Degree Heating Capacity BTU/H [kW]	47 Degree COP	17 Degree Heating Capacity BTU/H [kW]	47 Degree COP	Region IV HSPF	AHRI#
RP1542AC1	RGTM-10?RBJ?	RCF4824STAM	41500 [12.2]	29000 [8.5]	12500 [3.7]	14.5	12	1275 [601.7]	39500 [11.6]	3.7	25400 [7.4]	2.6	8.5	7512298
RP1542AJ1	RGTM-10?RBJ?	RCF4824STAM	41500 [12.2]	29000 [8.5]	12500 [3.7]	14.5	12	1275 [601.7]	39500 [11.6]	3.7	25400 [7.4]	2.6	8.5	7512346

[] Designates Metric Conversions

Performance Data @ AHRI Standard Conditions – Heat Pump (con't.)

ROCA Oil Furnace Ratings														
Outdoor Unit	Furnace	Indoor Coil	Total Capacity BTU/H [kW]	Net Sensible BTU/H [kW]	Net Latent BTU/H [kW]	SEER	EER	Indoor CFM [L/s]	47 Degree Heating Capacity BTU/H [kW]	47 Degree COP	17 Degree Heating Capacity BTU/H [kW]	47 Degree COP	Region IV HSPF	AHRI#
RP1518AJ1	ROCA-070E03	RCF2417STAM	18800 [5.5]	13700 [4.0]	5100 [1.5]	15	12.5	600 [283.2]	17000 [5.0]	3.6	10300 [3.0]	2.4	8.5	7508981
RP1518AJ1	ROCA-070E04	RCF2417STAM	18800 [5.5]	13700 [4.0]	5100 [1.5]	15	12.5	600 [283.2]	17000 [5.0]	3.6	10300 [3.0]	2.4	8.5	7508983
RP1524AJ1	ROCA-070E03	RCF2417STAM	25200 [7.4]	18400 [5.4]	6800 [2.0]	15	12.5	800 [377.6]	22200 [6.5]	3.6	13600 [4.0]	2.34	8.5	7509013
RP1524AJ1	ROCA-070E04	RCF2417STAM	25200 [7.4]	18400 [5.4]	6800 [2.0]	15	12.5	800 [377.6]	22200 [6.5]	3.6	13600 [4.0]	2.34	8.5	7509015
RP1530AJ1	ROCA-070E03	RCF3617STAM	29800 [8.7]	22100 [6.5]	7700 [2.3]	15	12.5	1000 [471.9]	28200 [8.3]	3.46	16600 [4.9]	2.16	8.2	7509044
RP1530AJ1	ROCA-070E04	RCF3621STAM	29800 [8.7]	22100 [6.5]	7700 [2.3]	15	12.5	1000 [471.9]	28000 [8.2]	3.5	16500 [4.8]	2.2	8.2	7509089
RP1530AJ1	ROCA-070E03	RCF3617STAM	29800 [8.7]	22100 [6.5]	7700 [2.3]	15	12.5	1000 [471.9]	28200 [8.3]	3.46	16600 [4.9]	2.16	8.2	7509046
RP1530AJ1	ROCA-070E04	RCF3621STAM	29800 [8.7]	22100 [6.5]	7700 [2.3]	15	12.5	1000 [471.9]	28000 [8.2]	3.5	16500 [4.8]	2.2	8.2	7509091
RP1536AC1	ROCA-070E03	RCF3617STAM	35200 [10.3]	26000 [7.6]	9200 [2.7]	14	11.5	1200 [566.3]	34200 [10.0]	3.6	22600 [6.6]	2.6	8.5	7512035
RP1536AC1	ROCA-070E04	RCF3621STAM	35200 [10.3]	26000 [7.6]	9200 [2.7]	14.5	12	1200 [566.3]	34000 [10.0]	3.6	22600 [6.6]	2.6	8.5	7512060
RP1536AC1	ROCA-070E03	RCF3617STAM	35200 [10.3]	26000 [7.6]	9200 [2.7]	14	11.5	1200 [566.3]	34200 [10.0]	3.6	22600 [6.6]	2.6	8.5	7512036
RP1536AC1	ROCA-070E04	RCF3621STAM	35200 [10.3]	26000 [7.6]	9200 [2.7]	14.5	12	1200 [566.3]	34000 [10.0]	3.6	22600 [6.6]	2.6	8.5	7512061
RP1536AJ1	ROCA-070E03	RCF3617STAM	35200 [10.3]	26000 [7.6]	9200 [2.7]	14	11.5	1200 [566.3]	34200 [10.0]	3.6	22600 [6.6]	2.6	8.5	7512081
RP1536AJ1	ROCA-070E04	RCF3621STAM	35200 [10.3]	26000 [7.6]	9200 [2.7]	14.5	12	1200 [566.3]	34000 [10.0]	3.6	22600 [6.6]	2.6	8.5	7512106
RP1536AJ1	ROCA-070E03	RCF3617STAM	35200 [10.3]	26000 [7.6]	9200 [2.7]	14	11.5	1200 [566.3]	34200 [10.0]	3.6	22600 [6.6]	2.6	8.5	7512082
RP1536AJ1	ROCA-070E04	RCF3621STAM	35200 [10.3]	26000 [7.6]	9200 [2.7]	14.5	12	1200 [566.3]	34000 [10.0]	3.6	22600 [6.6]	2.6	8.5	7512107

ROCB Oil Furnace Ratings														
Outdoor Unit	Furnace	Indoor Coil	Total Capacity BTU/H [kW]	Net Sensible BTU/H [kW]	Net Latent BTU/H [kW]	SEER	EER	Indoor CFM [L/s]	47 Degree Heating Capacity BTU/H [kW]	47 Degree COP	17 Degree Heating Capacity BTU/H [kW]	47 Degree COP	Region IV HSPF	AHRI#
RP1530AJ1	ROCB-072E04	RCF3621STAM	29600 [8.7]	21900 [6.4]	7700 [2.3]	14.5	12	1000 [471.9]	28200 [8.3]	3.46	16600 [4.9]	2.16	8.2	7509093
RP1536AC1	ROCB-072E04	RCF3621STAM	35200 [10.3]	26000 [7.6]	9200 [2.7]	14	11.5	1200 [566.3]	34200 [10.0]	3.6	22600 [6.6]	2.6	8.5	7512062
RP1536AJ1	ROCB-072E04	RCF3621STAM	35200 [10.3]	26000 [7.6]	9200 [2.7]	14	11.5	1200 [566.3]	34200 [10.0]	3.6	22600 [6.6]	2.6	8.5	7512108

[] Designates Metric Conversions

Performance Data @ AHRI Standard Conditions – Heat Pump (con't.)

ROLA Oil Furnace Ratings														
Outdoor Unit	Furnace	Indoor Coil	Total Capacity BTU/H [kW]	Net Sensible BTU/H [kW]	Net Latent BTU/H [kW]	SEER	EER	Indoor CFM [L/s]	47 Degree Heating Capacity BTU/H [kW]	47 Degree COP	17 Degree Heating Capacity BTU/H [kW]	47 Degree COP	Region IV HSPF	AHRI#
RP1518AJ1	ROLA-070E03	RCF2417STAM	18700 [5.5]	13600 [4.0]	5100 [1.5]	14.5	12	600 [283.2]	17100 [5.0]	3.6	10400 [3.0]	2.4	8.5	7508985
RP1524AJ1	ROLA-070E03	RCF2417STAM	25200 [7.4]	18400 [5.4]	6800 [2.0]	15	12.5	800 [377.6]	22200 [6.5]	3.6	13600 [4.0]	2.34	8.5	7509017
RP1524AJ1	ROLA-070E04	RCF2417STAM	25600 [7.5]	19100 [5.6]	6500 [1.9]	14.5	12	900 [424.8]	22200 [6.5]	3.54	13800 [4.0]	2.34	8.5	7509018
RP1530AJ1	ROLA-070E03	RCF3617STAM	29600 [8.7]	21800 [6.4]	7800 [2.3]	15	12.5	975 [460.1]	28000 [8.2]	3.46	16400 [4.8]	2.16	8.2	7509048
RP1530AJ1	ROLA-070E04	RCF3621STAM	29600 [8.7]	21800 [6.4]	7800 [2.3]	15	12.5	975 [460.1]	27800 [8.1]	3.5	16300 [4.8]	2.16	8.2	7509095
RP1530AJ1	ROLA-070E05	RCF3617STAM	30000 [8.8]	22300 [6.5]	7700 [2.3]	15	12.5	1025 [483.7]	28400 [8.3]	3.5	16700 [4.9]	2.2	8.2	7509050
RP1530AJ1	ROLA-115E05	RCF3621STAM	30000 [8.8]	22300 [6.5]	7700 [2.3]	15	12.5	1025 [483.7]	28200 [8.3]	3.54	16600 [4.9]	2.2	8.2	7509096
RP1536AC1	ROLA-070E03	RCF3617STAM	35400 [10.4]	26100 [7.6]	9300 [2.7]	14.5	12	1175 [554.5]	34000 [10.0]	3.66	22400 [6.6]	2.6	8.5	7512037
RP1536AC1	ROLA-070E04	RCF3621STAM	35400 [10.4]	26100 [7.6]	9300 [2.7]	15	12.5	1175 [554.5]	33800 [9.9]	3.7	22200 [6.5]	2.66	8.5	7512063
RP1536AC1	ROLA-115E05	RCF3617STAM	35400 [10.4]	26100 [7.6]	9300 [2.7]	14.5	12	1175 [554.5]	34000 [10.0]	3.66	22400 [6.6]	2.6	8.5	7512038
RP1536AC1	ROLA-115E05	RCF3621STAM	35400 [10.4]	26100 [7.6]	9300 [2.7]	15	12.5	1175 [554.5]	33800 [9.9]	3.7	22200 [6.5]	2.66	8.5	7512064
RP1536AJ1	ROLA-070E03	RCF3617STAM	35400 [10.4]	26200 [7.7]	9200 [2.7]	15	12.5	1200 [566.3]	33800 [9.9]	3.7	22400 [6.6]	2.66	8.5	7512065
RP1536AJ1	ROLA-070E04	RCF3621STAM	35400 [10.4]	26100 [7.6]	9300 [2.7]	14.5	12	1175 [554.5]	34000 [10.0]	3.66	22400 [6.6]	2.6	8.5	7512083
RP1536AJ1	ROLA-070E05	RCF3621STAM	35400 [10.4]	26100 [7.6]	9300 [2.7]	15	12.5	1175 [554.5]	33800 [9.9]	3.7	22200 [6.5]	2.66	8.5	7512109
RP1542AC1	ROLA-070E04	RCF3617STAM	42000 [12.3]	30000 [8.8]	12000 [3.5]	14	11.5	1375 [648.9]	40000 [11.7]	3.76	25800 [7.6]	2.6	8.5	7512274
RP1542AC1	ROLA-070E05	RCF4821STAM	42000 [12.3]	30200 [8.9]	11800 [3.5]	14	11.5	1400 [660.7]	40000 [11.7]	3.7	25800 [7.6]	2.6	8.5	7512275
RP1542AJ1	ROLA-070E04	RCF4824STAM	42000 [12.3]	30000 [8.8]	12000 [3.5]	14	11.5	1375 [648.9]	40000 [11.7]	3.76	25800 [7.6]	2.6	8.5	7512322
RP1542AJ1	ROLA-115E05	RCF4821STAM	42000 [12.3]	30200 [8.9]	11800 [3.5]	14	11.5	1400 [660.7]	40000 [11.7]	3.7	25800 [7.6]	2.6	8.5	7512323
RP1548AC1	ROLA-070E04	RCF4821STAM	46000 [13.5]	32300 [9.5]	13700 [4.0]	14.5	12	1375 [648.9]	43500 [12.7]	3.6	28400 [8.3]	2.5	8.5	7512128
RP1548AC1	ROLA-115E05	RCF4824STAM	46000 [13.5]	32300 [9.5]	13700 [4.0]	14.5	12	1375 [648.9]	43500 [12.7]	3.6	28400 [8.3]	2.5	8.5	7512146
RP1548AJ1	ROLA-070E04	RCF4821STAM	46000 [13.5]	32400 [9.5]	13600 [4.0]	14.5	12	1400 [660.7]	44000 [12.9]	3.6	28600 [8.4]	2.5	8.5	7512129
RP1548AJ1	ROLA-070E05	RCF4824STAM	46000 [13.5]	32300 [9.5]	13700 [4.0]	14.5	12	1375 [648.9]	43500 [12.7]	3.6	28400 [8.3]	2.5	8.5	7512165
RP1548AJ1	ROLA-115E05	RCF4821STAM	46000 [13.5]	32400 [9.5]	13600 [4.0]	14.5	12	1400 [660.7]	44000 [12.9]	3.6	28600 [8.4]	2.5	8.5	7512183
RP1548AJ1	ROLA-115E05	RCF4824STAM	46000 [13.5]	32400 [9.5]	13600 [4.0]	14.5	12	1400 [660.7]	44000 [12.9]	3.6	28600 [8.4]	2.5	8.5	7512166
RP1548AJ1	ROLA-115E05	RCF4821STAM	46000 [13.5]	32400 [9.5]	13600 [4.0]	14.5	12	1400 [660.7]	44000 [12.9]	3.6	28600 [8.4]	2.5	8.5	7512184

[] Designates Metric Conversions



Air

Performance Data
RP15 Series

Performance Data @ AHRI Standard Conditions – Heat Pump (con't.)

Air Handler Ratings		Outdoor Unit	Furnace	Total Capacity BTU/H [kW]	Net Sensible BTU/H [kW]	Net Latent BTU/H [kW]	SEER	EER	Indoor CFM [L/s]	47 Degree Heating Capacity BTU/H [kW]	47 Degree COP	17 Degree Heating Capacity BTU/H [kW]	47 Degree COP	Region IV HSPF	AHRI#
RP1518AJ1	RBHP-17	RH1V2417STAN	RBHP-17	18800 [5.5]	13900 [4.1]	4900 [1.4]	15	12.5	600 [283.2]	16900 [5.0]	3.46	9400 [2.8]	2.2	8.2	7508960
			RH1V2417STAN	19100 [5.6]	14100 [4.1]	5000 [1.5]	15	12.5	650 [306.8]	17000 [5.0]	3.6	10300 [3.0]	2.4	8.5	7508989
RP1524AJ1	RBHP-21	RH1V2417STAN	RBHP-21	25400 [7.4]	18700 [5.5]	6700 [2.0]	15	12.5	850 [401.2]	22200 [6.5]	3.6	13700 [4.0]	2.4	8.5	7509022
			RH1V3617STAN	29400 [8.6]	21200 [6.2]	8200 [2.4]	15.5	13	975 [460.1]	27400 [8.0]	3.6	16800 [4.9]	2.34	8.5	7509024
RP1530AJ1	RBHP-21	RH1V3617STAN	RBHP-21	30000 [8.8]	22300 [6.5]	7700 [2.3]	15	12.5	1025 [483.7]	28400 [8.3]	3.54	16700 [4.9]	2.2	8.2	7509102
			RH1P3617STAN	34800 [10.2]	24700 [7.2]	10100 [3.0]	14.5	12	1250 [589.9]	34400 [10.1]	3.66	22200 [6.5]	2.6	8.5	7512025
RP1536AC1	RBHP-21	RH1P3617STAN	RBHP-21	34600 [10.1]	25000 [7.3]	9600 [2.8]	14	11.5	1100 [519.1]	34200 [10.0]	3.46	22400 [6.6]	2.5	8.5	7512067
			RH1P3621STAN	34600 [10.1]	25000 [7.3]	9600 [2.8]	14	11.5	1100 [519.1]	34200 [10.0]	3.46	22400 [6.6]	2.5	8.5	7512068
RP1536AJ1	RBHP-21	RH1V3617STAN	RBHP-21	35600 [10.4]	26600 [7.8]	9000 [2.6]	14.5	12	1225 [578.1]	34000 [10.0]	3.66	22400 [6.6]	2.66	8.5	7512070
			RH1P3617STAN	34800 [10.2]	24700 [7.2]	10100 [3.0]	14.5	12	1250 [589.9]	34400 [10.1]	3.66	22200 [6.5]	2.6	8.5	7512071
RP1536AJ1	RBHP-21	RH1P3617STAN	RBHP-21	34600 [10.1]	25000 [7.3]	9600 [2.8]	14	11.5	1100 [519.1]	34200 [10.0]	3.46	22400 [6.6]	2.5	8.5	7512113
			RH1P3621STAN	34600 [10.1]	25000 [7.3]	9600 [2.8]	14	11.5	1100 [519.1]	34200 [10.0]	3.46	22400 [6.6]	2.5	8.5	7512114
RP1542AC1	RBHP-21	RH1V3617STAN	RBHP-21	35600 [10.4]	26600 [7.8]	9000 [2.6]	14.5	12	1225 [578.1]	34000 [10.0]	3.66	22400 [6.6]	2.66	8.5	7512116
			RH1T4824STAN	43000 [12.6]	32100 [9.4]	10900 [3.2]	14.5	12	1550 [731.5]	40000 [11.7]	3.76	25800 [7.6]	2.6	8.5	7512303
RP1542AC1	RBHP-21	RH1V4821STAN	RBHP-21	42500 [12.5]	30700 [9.0]	11800 [3.5]	14.5	12	1400 [660.7]	40000 [11.7]	3.76	25600 [7.5]	2.6	8.5	7512304
			RH1T4824STAN	43000 [12.6]	32100 [9.4]	10900 [3.2]	14.5	12	1550 [731.5]	40000 [11.7]	3.76	25800 [7.6]	2.6	8.5	7512351
RP1542AJ1	RBHP-21	RH1V4821STAN	RBHP-21	42500 [12.5]	30700 [9.0]	11800 [3.5]	14.5	12	1400 [660.7]	40000 [11.7]	3.76	25600 [7.5]	2.6	8.5	7512352
			RH1P4821STAN	46000 [13.5]	33000 [9.7]	13000 [3.8]	14	11.5	1500 [707.9]	45500 [13.3]	3.5	29600 [8.7]	2.5	8.5	7512149
RP1548AC1	RBHP-21	RH1T4824STAN	RBHP-21	47000 [13.8]	34400 [10.1]	12600 [3.7]	15.5	12.5	1550 [731.5]	44500 [13.0]	3.7	28800 [8.4]	2.6	8.5	7512151
			RH1V4821STAN	46000 [13.5]	32400 [9.5]	13600 [4.0]	15	12.5	1400 [660.7]	44000 [12.9]	3.66	28400 [8.3]	2.54	8.5	7512152
RP1548AJ1	RBHP-21	RH1V4824STAN	RBHP-21	47500 [13.9]	35400 [10.4]	12100 [3.5]	15	12.5	1625 [766.9]	44500 [13.0]	3.7	28800 [8.4]	2.6	8.5	7512153
			RH1P4821STAN	46000 [13.5]	33000 [9.7]	13000 [3.8]	14	11.5	1500 [707.9]	45500 [13.3]	3.5	29600 [8.7]	2.5	8.5	7512186
RP1548AJ1	RBHP-21	RH1T4824STAN	RBHP-21	47000 [13.8]	34400 [10.1]	12600 [3.7]	15.5	12.5	1550 [731.5]	44500 [13.0]	3.7	28800 [8.4]	2.6	8.5	7512188
			RH1V4821STAN	46000 [13.5]	32400 [9.5]	13600 [4.0]	15	12.5	1400 [660.7]	44000 [12.9]	3.66	28400 [8.3]	2.54	8.5	7512189
RP1560AC1	RBHP-21	RH1V4824STAN	RBHP-21	47500 [13.9]	35400 [10.4]	12100 [3.5]	15	12.5	1625 [766.9]	44500 [13.0]	3.7	28800 [8.4]	2.6	8.5	7512190
			RH2T6024STAN	57000 [16.7]	39800 [11.7]	17200 [5.0]	15	12.5	1600 [755.1]	54500 [16.0]	3.76	34400 [10.1]	2.6	8.5	7512223
RP1560AJ1	RBHP-21	RH1V6024STAN	RBHP-21	58000 [17.0]	42400 [12.4]	15600 [4.6]	15	12.5	1800 [849.5]	56000 [16.4]	3.84	35600 [10.4]	2.7	8.5	7512222
			RH2T6024STAN	57000 [16.7]	39800 [11.7]	17200 [5.0]	15	12.5	1600 [755.1]	54500 [16.0]	3.76	34400 [10.1]	2.6	8.5	7512256
RP1560AJ1	RBHP-21	RH1V6024STAN	RBHP-21	58000 [17.0]	42400 [12.4]	15600 [4.6]	15	12.5	1800 [849.5]	56000 [16.4]	3.84	35600 [10.4]	2.7	8.5	7512255

[J] Designates Metric Conversions



GUIDE SPECIFICATIONS

General

System Description

Outdoor-mounted, air-cooled, split-system heat pump unit suitable for ground or rooftop installation. Unit consists of a hermetic compressor, composite basepan, an air-cooled coil, propeller-type condenser fan, suction and liquid line service valve, and a control box. Unit will discharge supply air upward as shown on contract drawings. Unit will be used in a refrigeration circuit to match up to a coil unit.

Quality Assurance

- Unit will be rated in accordance with the latest edition of AHRI Standard 210.
- Unit will be certified for capacity and efficiency, and listed in the latest AHRI directory.
- Unit construction will comply with latest edition of ANSI/ASHRAE and with NEC.
- Unit will be constructed in accordance with UL standards and will carry the UL label of approval. Unit will have c-UL-us approval.
- Unit cabinet will be capable of withstanding ASTM B117 1000-hr salt spray test.
- Air-cooled condenser coils will be leak tested at 150 psig and pressure tested at 550 psig.
- Unit constructed in ISO9001 approved facility.

Delivery, Storage, and Handling

- Unit will be shipped as single package only and is stored and handled per unit manufacturer's recommendations.

Warranty (for inclusion by specifying engineer) – U.S. and Canada only.

Products

Equipment

Factory assembled, single piece, air-cooled heat pump unit. Contained within the unit enclosure is all factory wiring, piping, controls, compressor, refrigerant charge R-410A, and special features required prior to field start-up.

Unit Cabinet

- Unit cabinet will be constructed of galvanized steel, bonderized, and coated with a powder coat paint.
- All units constructed with louver coil protection and corner post. Louver can be removed by removing one fastener per louver panel.

AIR-COOLED, SPLIT-SYSTEM HEAT PUMP RP15

1-1/2 TO 5 NOMINAL TONS

Fans

- Condenser fan will be direct-drive propeller type, discharging air upward.
- Condenser fan motors will be totally enclosed, 1-phase type with class B insulation and permanently lubricated bearings. Shafts will be corrosion resistant.
- Fan blades will be statically and dynamically balanced.
- Condenser fan openings will be equipped with coated steel wire safety guards.

Compressor

- Compressor will be hermetically sealed.
- Compressor will be mounted on rubber vibration isolators.

Condenser Coil

- Condenser coil will be air cooled.
- Coil will be constructed of aluminum fins mechanically bonded to copper tubes.

Refrigeration Components

- Refrigeration circuit components will include liquid-line shutoff valve with sweat connections, vapor-line shutoff valve with sweat connections, system charge of R-410A refrigerant, and compressor oil.
- Unit will be equipped with filter drier for R-410A refrigerant for field installation.

Operating Characteristics

- The capacity of the unit will meet or exceed _____ Btuh at a suction temperature of _____ °F/°C. The power consumption at full load will not exceed _____ kW.
- Combination of the unit and the evaporator or fan coil unit will have a total net cooling capacity of _____ Btuh or greater at conditions of _____ CFM entering air temperature at the evaporator at _____ °F/°C wet bulb and _____ °F/°C dry bulb, and air entering the unit at _____ °F/°C.
- The system will have a SEER of _____ Btuh/watt or greater at DOE conditions.

Electrical Requirements

- Nominal unit electrical characteristics will be _____ v, single phase, 60 hz. The unit will be capable of satisfactory operation within voltage limits of _____ v to _____ v.
- Nominal unit electrical characteristics will be _____ v, three phase, 60 hz. The unit will be capable of satisfactory operation within voltage limits of _____ v to _____ v.
- Unit electrical power will be single point connection.
- Control circuit will be 24v.

Special Features

- Refer to section of this literature identifying accessories and descriptions for specific features and available enhancements.

GENERAL TERMS OF LIMITED WARRANTY*

Rheem will furnish a replacement for any part of this product which fails in normal use and service within the applicable period stated, in accordance with the terms of the limited warranty.

***For complete details of the Limited and Conditional Warranties, including applicable terms and conditions, contact your local contractor or the Manufacturer for a copy of the product warranty certificate.**

Conditional Parts
(Registration Required)Ten (10) Years



The new degree of comfort.™

In keeping with its policy of continuous progress and product improvement, Rheem reserves the right to make changes without notice.

Rheem Heating, Cooling & Water Heating • P.O. Box 17010
Fort Smith, Arkansas 72917 • www.rheem.com

Rheem Canada Ltd./Ltée • 125 Edgeware Road, Unit 1
Brampton, Ontario • L6Y 0P5



INTEGRATED HOME COMFORT

PRINTED IN U.S.A. 11/14 QG FORM NO. P11-807